

Filter F11 + F25



Filter F11



Filter F25

Product features

- Brass - filter for separating dirt particles such as rust, sand, or chips carried along in gas piping
- For non-corrosive technical gases
- Protection against wear and damages of the downstream equipment
- Easy change of the filter cartridges

* Q in Nominal flow rate per hour (Nm³/h)

Nominal flow = Actual flow x pressure (abs.)

Q in Actual flow rate / hour: F11: max. 60 m³/h
F25: max. 120 m³/h

e.g. filter F11: 60 m³/h @ 30 bar line pressure equals:
60 m³/h x 31 bar = 1860 Nm³/h

Technical data

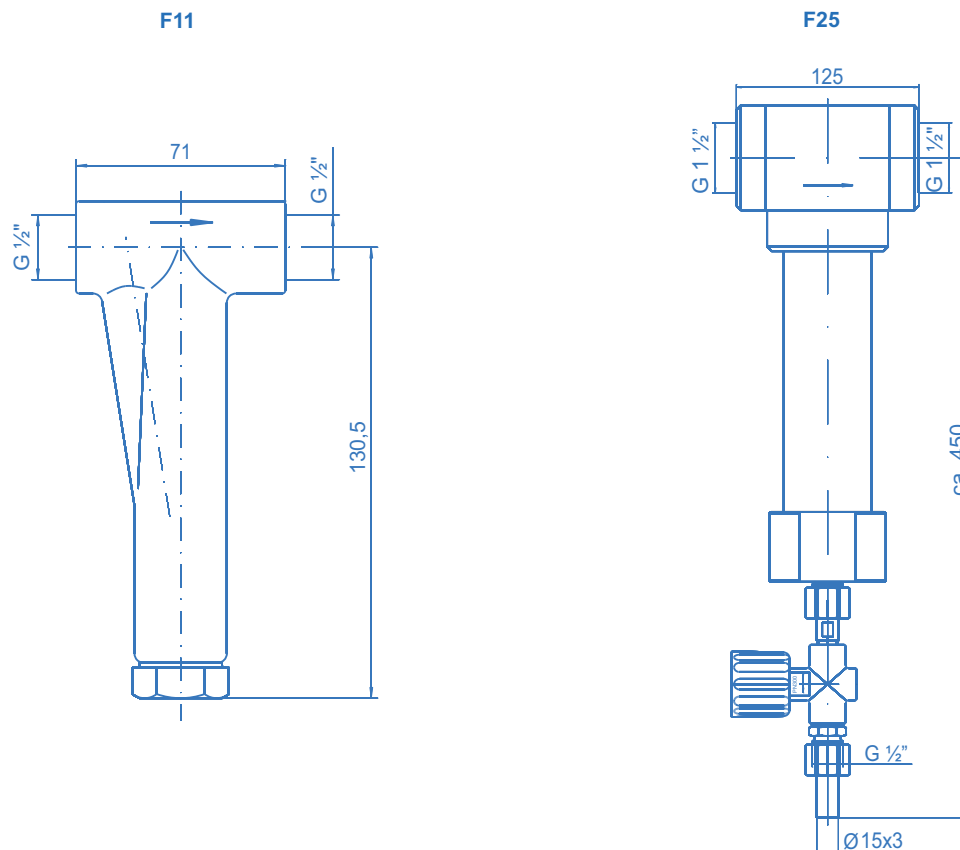
| | |
|-----------------------------|--|
| Type | single-stage |
| Flow rate Q* | F 11: max. 18000 Nm ³ /h F 25: max. 24000 Nm ³ /h |
| Operating pressure P | max. 300 bar |
| Pore diameter (F 11) | 40-45 µm |
| Mesh size (F 25) | 60-65 µm |
| Filter area | F 11: 29 cm ² F 25: 174 cm ² |
| Materials | |
| Body: | brass |
| Filter cartridge: | F 11: sintered bronze F 25: tin bronze |
| Ports | |
| Inlet: | F 11: G ½" - female F 25: G 1 ½" - female |
| Outlet: | F 11: G ½" - female F 25: G 1 ½" - female |
| Temperature range | -30°C to +60°C |
| Leak rate | <10 ⁻³ mbar l/s He |
| Weight | F 11: 0.9 kg F 25: 10 kg |

Attention:

When pressure losses start to increase and the flow rate starts to decrease - but at least once a year - the filter cartridge must be dismantled and cleaned; in the event of damage it can be exchanged with ease.

The filter cartridge may only be dismantled at zero pressure. To do so, close the shutoff valve upstream of the filter, and open the flushing valve (F25) or the locking screw (F11) below the filter so that the gas in the filter can be discharged into the atmosphere.

Dimensions and connections filter F11 + F25



Ordering information: filter F 11 + F 25

F 11 - NFG

Type

F 11
F 25

Type of gas

NFG - non flammable gases
FG - flammable gases (except for acetylene)
O₂ - oxygen

Spare parts

F 11

Filter cartridge 770.54100

F 25

Filter cartridge 770.54101
O-ring (51x2,5) 60RK0019
O-ring (46x3) 60RK0020