

# Tapping point pressure regulator ET2000

spectrotec



Tapping point pressure regulator ET2000-40-10-NFG

## Product features

- Tapping point pressure regulator
- For non-corrosive industrial Gas
- Tested for use with oxygen
- Single-stage type with high control accuracy
- Outlet pressure limitation by special adjustment
- Central filter in the pressure regulator
- Safety pressure gauge acc. to DIN EN ISO 5171
- Compact design

## Technical data

<b>Type</b>	single-stage
<b>Inlet pressure P<sub>1</sub></b>	max. 40 bar max. 1,5 bar (acetylene)
<b>Outlet pressure P<sub>2</sub></b>	1,5 - 20 bar
<b>Materials</b>	
Body:	brass
Diaphragm:	EPDM
Valve cone:	PA
<b>In- / outlets</b>	
Inlet	NFG, O <sub>2</sub> : G 3/8" union nut FG, C <sub>2</sub> H <sub>2</sub> , Flux: G 3/8"LH union nut
Outlet	NFG, O <sub>2</sub> : G 1/4" + gland 6 mm FG, C <sub>2</sub> H <sub>2</sub> , Flux: G 3/8"LH + gland 9 mm
<b>Temperature range</b>	-30°C to +60°C
<b>Leak rate</b>	<10 <sup>-4</sup> mbar l/s He
<b>Weight</b>	1,3 kg

## Flow rates pressure regulator ET2000:

air inlet press. P <sub>1</sub> [bar]	flow rate [m <sup>3</sup> /h] at outlet pressure P <sub>2</sub> [bar]					
	0,5	1	3	6	10	20
40	5	15	30	40	50	60
20	5	15	20	25	30	-
10	5	15	15	15	-	-
5	5	10	10	-	-	-

acetylene inlet press. P <sub>1</sub> [bar]	flow rate [m <sup>3</sup> /h] at outlet press. P <sub>2</sub> [bar]		
	0,3	0,5	1
1,3	0,2	0,5	1

For other gas types the flow rate must be multiplied with these factors:

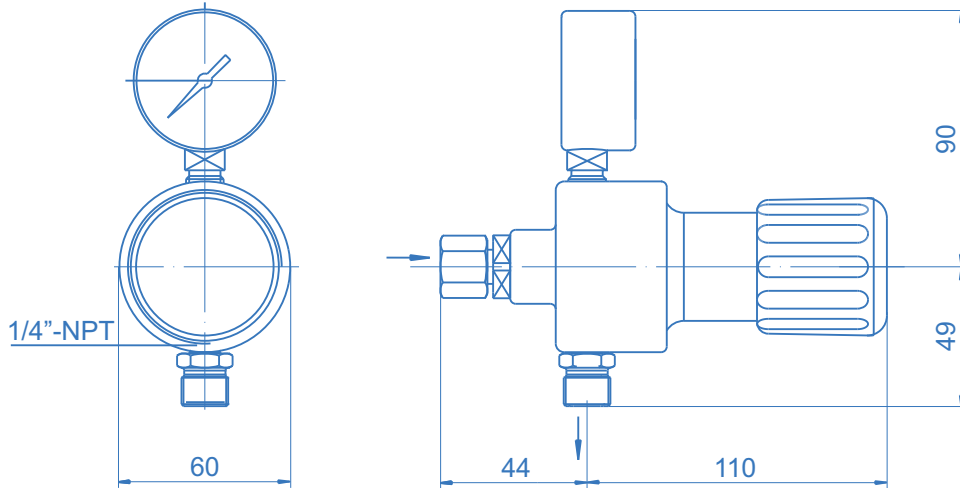
oxygen	0.95
nitrogen	1.02
hydrogen	3.79
argon	0.85
carbon dioxide	0.81
helium	2.69

Performance factor L<sub>10</sub> = 3

# Tapping point pressure regulator ET2000



## Dimensions



## Ordering information: Tapping point pressure regulator ET2000

**ET2000 - 40 - 10 - NFG**

Outlet pressure P <sub>2</sub>	gas type				
	O <sub>2</sub> oxygen	NFG non flammable	FG flammable gases	C <sub>2</sub> H <sub>2</sub> acetylene	Flux
Gasflux					
1,5 - max. 1,5 bar	717.05891	717.05895	717.05899	717.05890	717.05921
2,5 - max. 2,5 bar	717.05892	717.05896	717.05900		
10 - max. 10 bar	717.05893	717.05897	717.05901		
20 - max. 20 bar	717.05894	717.05898	717.05902		

article number

Other glands and union nuts							
hose	thread	gland	hose	thread	gland	union nut	
6 mm	G 1/4"	700.50050	8 mm	G 3/8"	471.40770	G 1/4"	700.50030
8 mm	G 1/4"	723.18928	9 mm	G 3/8"	471.40090	G 3/8"	700.50130
			10 mm	G 3/8"	722.17034	G 3/8"LH	700.50040