

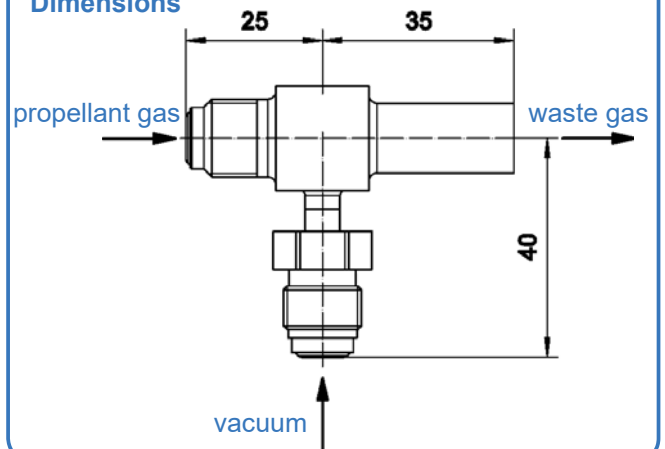
# Vacuum Venturi VAK200

spectro pur



Vacuum Venturi VAK200

## Dimensions



## Product description

- By applying a vacuum in the course of a purge cycle the dilution effect of purge and process gas can be improved significantly
- The vacuum venturi VAK 200 offers a simple and cost-effective alternative to a vacuum pump and can achieve an effective vacuum of up to 200 mbar (abs) with a propellant gas pressure of approx. 7 bar

## Technical data

### Pressure ranges

Propellant pressure:	6 ... 8 bar
achievable abs. pressure:	200 mbar

### Materials

Body:	Stainless steel 1.4404
Venturi:	Stainless steel 1.4404

### Surface roughness

(gas wetted areas)	$R_{a,max} \leq 0,25 \mu\text{m}$
	$R_{a,Avg} \leq 0,18 \mu\text{m}$

### Temperature range

	-20°C to +60°C
--	----------------

### Propellant gas pressure

	see curves
--	------------

### Inlets:

	1/4"-VCR male (9/16-18 UNF)
--	--------------------------------

### Outlet:

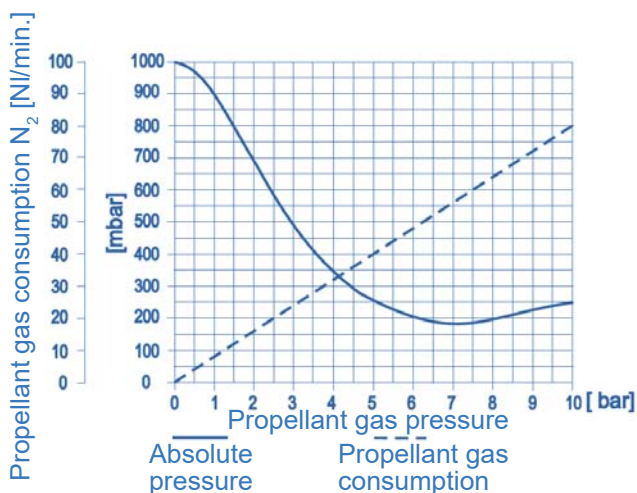
	1/2" tube
--	-----------

### Weight

	0,1 kg
--	--------

## Characteristic curves VAC200

Propellant gas consumption and achievable absolute pressure on the vacuum side as a function of propellant gas inlet pressure



Vacuum as a function of the pressure on the waste gas side with a constant propellant gas pressure of 8 bar (absolute)

