

Control and shut-off valves V6M-3

spectrolab



Control valve EV-V6M-3 and DV-V6M-3

Product features

- Control valves (e.g. for the pressure regulator outlet)
- For non corrosive gases up to quality 6.0
- High control accuracy
- Shut-off valves (e.g. for in- and outlet of pressure regulators and arrangements for separate gas purging)
- Diaphragm metal-to-metal sealed to atmosphere
- Compact laboratory style design
- Ergonomically designed

Technical data

Operating pressure

Control valve:	max. 50 bar
Shut-off valve:	max. 200 bar

Nominal diameter 3 mm

Materials

Body:	chrome plated brass
Diaphragm:	Duratherm 600
Control spindle:	SS 1.4404 (SS 316L)

Inlet 1/4"-NPT male

Outlet 1/4"-NPT female

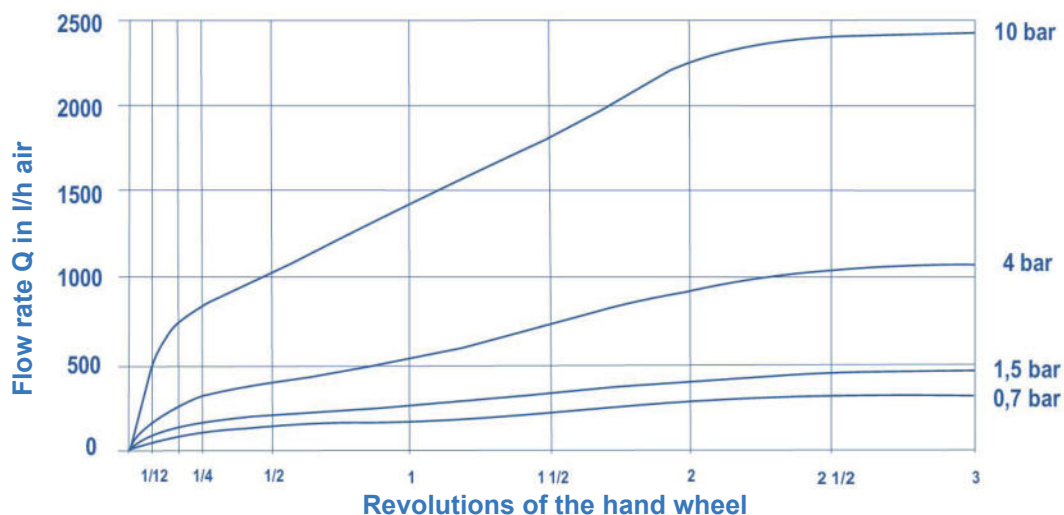
Temperature range -20°C to +60°C

Leakrate (to atmosphere): $\leq 10^{-8}$ mbar l/s He
(via valve seat): $\leq 10^{-6}$ mbar l/s He

c_v -value shut-off valve $c_v = 0,08$

Weight 0,5 kg

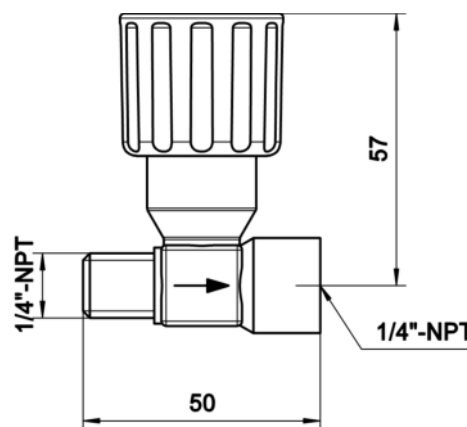
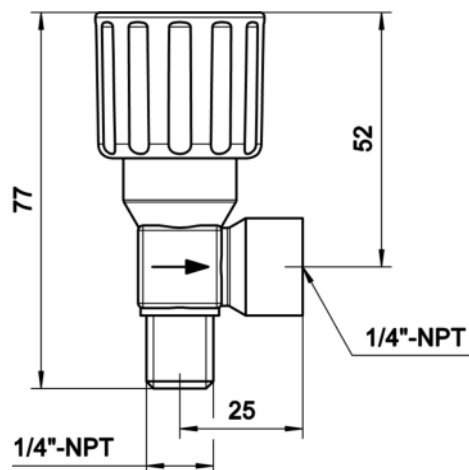
Flow curves control valve V6M-3



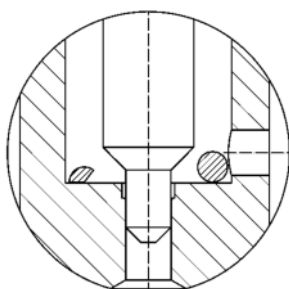
Control and shut-off valves V6M-3



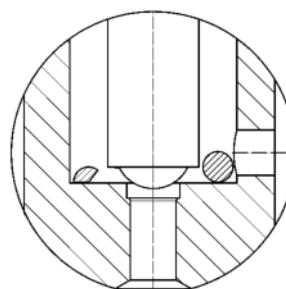
Dimensions



Detail:
Control valve seat



Detail:
Shut-off valve seat



Ordering information: valves V6M-3

DV - V6M-3 - CV

Type

DV globe valve
EV angle valve

Function

AV shut-off valve
CV control valve

Article-No. control valves

globe valve DV-V6M-3-CV: **71801038**
angle valve EV-V6M-3-CV: **71801036**

Article-No. shut-off valves

globe valve DV-V6M-3-AV: **71804363**
angle valve EV-V6M-3-AV: **71804364**