

# Control and shut-off valves V6E-3

spectro**cem**



Control valve EV-V6E-3 and DV-V6E-3

## Product features

- Control valves (e.g. for the pressure regulator outlet)
- For corrosive gases and gas mixtures up to quality 6.0
- High control accuracy
- Shut-off valves (e.g. for in- and outlet of pressure regulators and arrangements for separate gas purging)
- Diaphragm metal-to-metal sealed to atmosphere
- Compact laboratory style design
- Ergonomically designed

## Technical data

### Operating pressure

Control valve:	max. 50 bar
Shut-off valve:	max. 200 bar

<b>Nominal diameter</b>	3 mm
-------------------------	------

### Materials

Body:	SS 1.4435 (SS 316L)
Diaphragm:	Duratherm 600
Control spindle:	SS 1.4404 (SS 316L)

<b>Inlet</b>	1/4"-NPT male
--------------	---------------

<b>Outlet</b>	1/4"-NPT female
---------------	-----------------

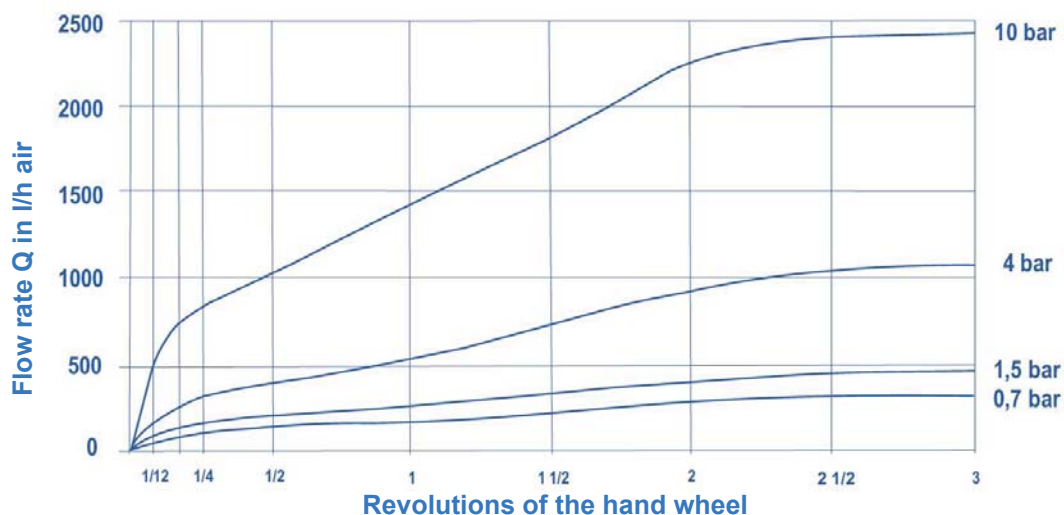
<b>Temperature range</b>	-20°C to +60°C
--------------------------	----------------

<b>Leakrate (to atmosphere):</b>	≤ 10 <sup>-8</sup> mbar l/s He
(via valve seat):	≤ 10 <sup>-6</sup> mbar l/s He

<b>c<sub>v</sub>-value shut-off valve</b>	c <sub>v</sub> = 0,08
---	-----------------------

<b>Weight</b>	0,5 kg
---------------	--------

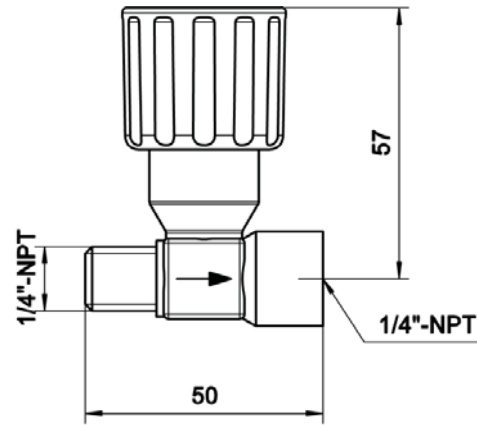
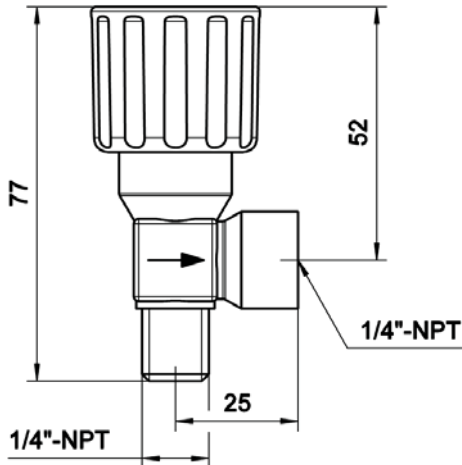
## Flow curves control valve V6E-3



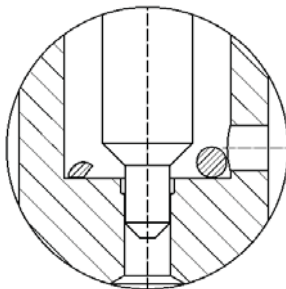
# Control and shut-off valves V6E-3

spectron

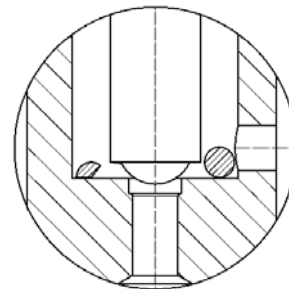
## Dimensions



Detail:  
Control valve seat



Detail:  
Shut-off valve seat



## Ordering information: valves V6E-3

**DV - V6E-3 - CV**

### Type

DV globe valve  
EV angle valve

### Function

AV shut-off valve  
CV control valve

### Article-No. control valves

globe valve DV-V6E-3-CV: **71801029**  
angle valve EV-V6E-3-CV: **71800990**

### Article-No. shut-off valves

globe valve DV-V6E-3-AV: **71800992**  
angle valve EV-V6E-3-AV: **71800991**