

Pneumatic pressure regulator U42 E spectrotec



Druckregler U42 E - G 1 1/4 m

Product features

- Dome loaded diaphragm line pressure regulator
- For non corrosive industrial gases
- Remote controlled pressure regulation (e.g. process control or cutting machines)
- For flow rates up to 2.000 m³/h air
- Pressure control with process gas by small pressure regulator ST2000
- Single-stage with high control accuracy
- Outlet pressure reduction by special vent hole in the diaphragm assembly
- Central filter in the pressure regulator
- Pressure regulator with integrated relief valve
- Wall brackets available as accessory
- Approved for use with oxygen

Technical data

Type	single-stage
Flow rate Q	max. 2000 m ³ /h
Inlet pressure P₁	max. 40 bar
Outlet pressure P₂	max. 10 ... 30 bar
Materials	
Body:	brass
Valve seat:	PTFE
Diaphragm:	EPDM
Connections	
In- / outlet:	G 1 1/2" female or G 1 1/4 / 1 1/2" male
Pressure gauge ports (body):	G 1/4" female
Outlet relief valve:	G 3/4" female
Temperature range	-20°C to +60°C
Leak rate	≤10 ⁻⁴ mbar l/s He
Weight	ca. 14 kg

Performance factors for evaluation of flow rates for pressure regulator U42 E

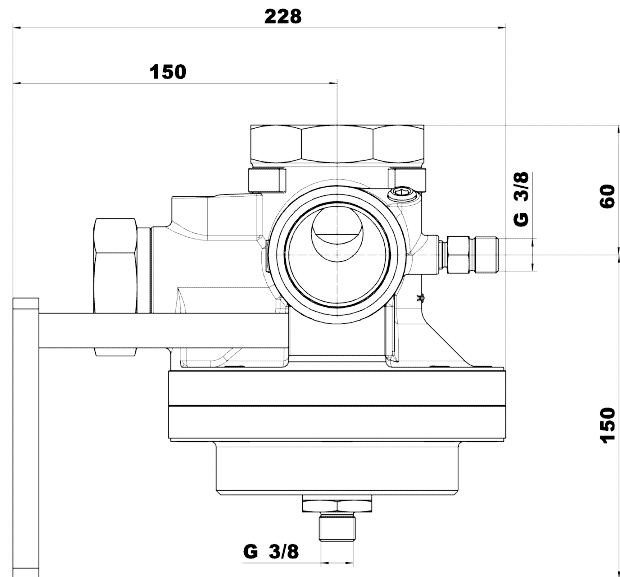
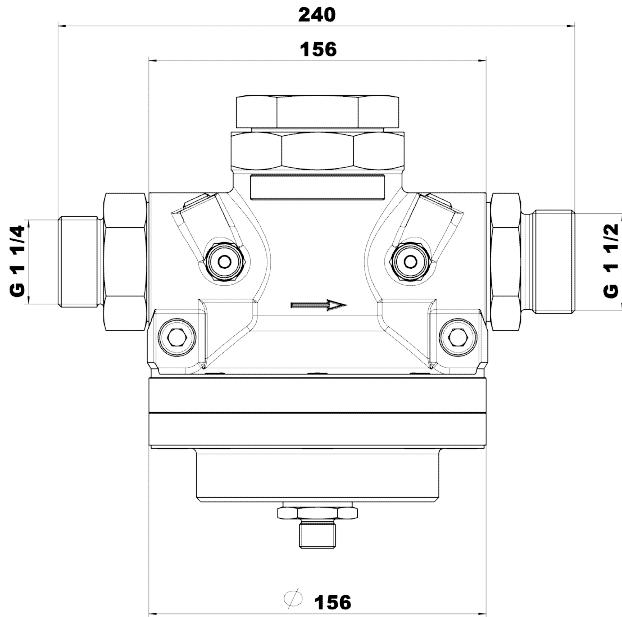
Performance factor	L ₅ (5% pressure drop)	10
	L ₁₀ (10% pressure drop)	11,5
	L _{max}	13
Outlet pressure variations [%] relating to inlet pressure variation		5,0

The outlet pressure and accordingly the accuracy will be determined by the pilot pressure regulator ST2000 (see data sheet).

Pneumatic pressure regulator U42 E spectrotec

Dimensions and connections

Dimensions with wall bracket 512.45350
(as accessory available)



pilot pressure

Ordering information: Pressure regulator U42E

U42 E - G 1 1/2 f

In- and outlet fittings:
see data sheet "fittings"

In- / outlet		Art. no.
G 1 1/2 f	G 1 1/2" female	717.08957
G 1 1/4 m	inlet: G 1 1/4" male	717.00396
	outlet: G 1 1/2" male	

Diagram for process gas controlled dome loaded pressure regulator

