

Pressure control panel SE45/55/121 spectrocem



SE45-1



SE55-1



SE125-1

Product features

- Pressure control panels for use on gas cylinders with gases or gas mixtures with corrosive or toxic components, where the presence of ambient air (especially humidity or oxygen) would be harmful to hardware and/or the process.
- Regulator with Hastelloy-diaphragm (SE55 with tied diaphragm / positive seal and SE125)
- Diaphragm-type shut-off valves optimised for low internal volume with On/Off position indicator (SE45)
- Regulator with high control accuracy and integrated relief valve (SE55 and SE125)
- 3-way purge/connection block with integrated purge gas capillary tube and cylinder connection with the following control functions: purge gas inlet, purge/waste gas outlet and process gas outlet
- Suitable for ECD-applications
- Laboratory-style design

Product description

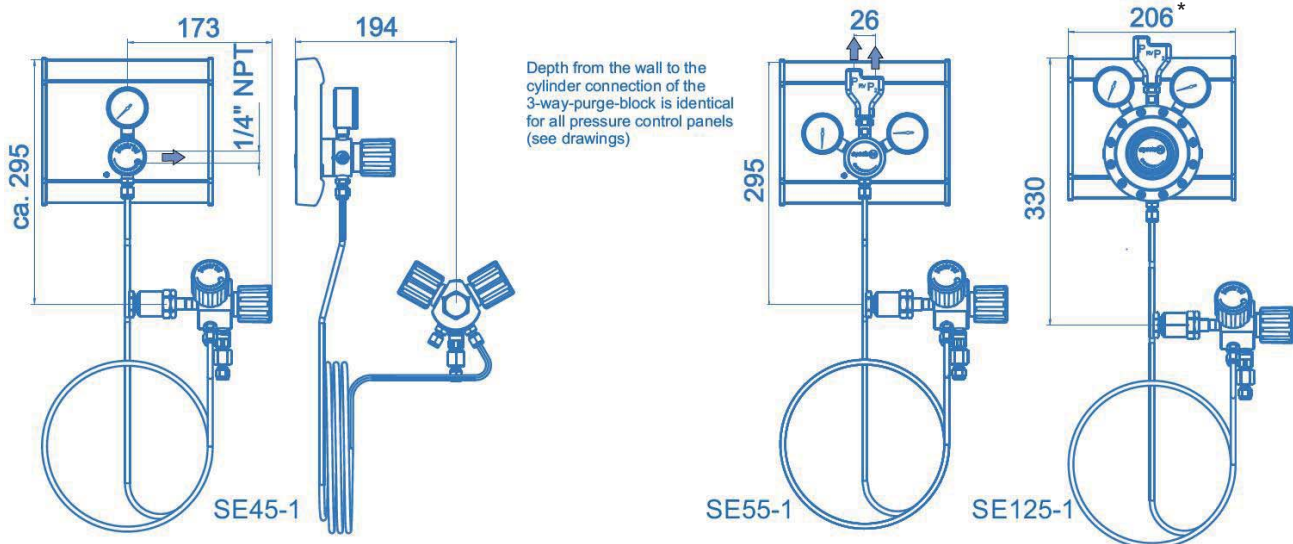
- The pressure control panels SE45, SE55 and SE125 consist of optionally a process gas valve (SE45) or alternately pressure regulator (SE55 or SE125) mounted on an aluminium profile and the 3-way-purge/connection block, connected to the valve/regulator on the profile by a stainless steel pigtail.
- During the critical process of changing cylinders the purge gas flows (after opening the shut-off valve at the purge gas inlet) through the capillary tube deep into the closed cylinder valve. The purge gas along with any contaminants flows around the capillary tube to the shut-off valve at the purge gas outlet, where it can safely be disposed of through a suitable vent line.

Technical data

Pressure control panel	SE45	SE55	SE125
Type	without pressure regulator	single-stage	single-stage
Inlet pressure P_1	vapour pressure \leq ca. 10 bar	max. 200 bar	max. 25 bar
Outlet pressure P_2	vapour pressure	max. 1,5 / 4 / 10 bar	max. 1,5 / 4 bar
Flow rate Q	max. 5 Nm ³ /h N ₂	max. 15 Nm ³ /h N ₂	max. 9 Nm ³ /h N ₂
Leak rate	$\leq 10^{-8}$ mbar l/s He	$\leq 10^{-8}$ mbar l/s He	$\leq 10^{-8}$ mbar l/s He
Materials			
Cylinder connections, pigtail:	stainless steel 1.4404	stainless steel 1.4404	stainless steel 1.4404
Body:	stainless steel 1.4404	stainless steel 1.4404	stainless steel 1.4404
Valve seat:	PCTFE	PCTFE	PCTFE
Soft goods:	FKM (NH ₃ : EPDM)	FKM (NH ₃ : EPDM)	FKM (NH ₃ : EPDM)
Diaphragm:	Hastelloy C276	Hastelloy C276	Hastelloy C276
Outlet	1/4"-NPT female	1/4"-NPT female	1/4"-NPT female

Pressure control panel SE45/55/121 spectrocem

Dimensions



*2-sided type: 306

Ordering information: SE series pressure control panels

SE55 - 1 - 200 - 10 - M - M - DIN6 - NH3

Pressure regulation

- 45 without pressure regulator
- 55 1-stage regulator E51
- 56 2-stage regulator E53*
- 125 1-stage regulator E121

*upon request

Type

- 1 1-sided panel
- 2 2-sided panel

Inlet pressure P_1

- 10 max. 10 bar (vapour pressure SE45)
- 25 max. 25 bar (SE125)
- 200 max. 200 bar (SE55)

Outlet pressure P_2

- 0 without pressure regulator (SE45)
- 1,5 max. 1,5 bar (SE55, SE125)
- 4 max. 4 bar (SE55, SE125)
- 10 max. 10 bar (SE55)

Type of gas

Please specify type of gas with your order!

Cylinder connection

Detailed description of the cylinder connection (e.g. BS no. 3)

Outlet pressure indication

- M pressure gauge
- K contact pressure gauge

Inlet pressure indication

- M pressure gauge
- K contact pressure gauge