

# Diaphragm shut-off valves MV3-E

spectro**cem**



MV3-DV-H-E-NPTF1/4



MV3-DV-PN25/100/300-E-NPTF1/4

## Product features

- Stainless steel diaphragm valves for manual or automatic (pneumatic) shut-off
- For corrosive gases and gas mixtures up to quality 6.0
- Diaphragm metal-to-metal sealed to atmosphere
- Laboratory style design
- Ergonomically designed
- In- and outlet filter
- Suitable for up to 300 bar pressure
- Approved for use with oxygen
- Fully functional under vacuum
- Manual valve with position indicator

- Pneumatic actuator optional for 25, 100, 200 and 300 bar line pressure
- Variable installation position
- Position indicator

## Technische Daten

<b>Operation pressure</b>	max. 300 bar
<b>Nominal diameter</b>	4 mm
<b>Materials</b>	
Body:	stainless steel 1.4404
Diaphragm:	Hastelloy C276
Valve seat:	PCTFE
Filter:	stainless steel 1.4404
<b>In- / Outlet</b>	1/4"-NPT female
<b>Temperature range</b>	-20°C to +60°C
<b>Leak rate</b>	≤10 <sup>-8</sup> mbar l/s He
<b>c<sub>v</sub>-value</b>	c <sub>v</sub> = 0,33 / 0,09*
<b>Weight</b>	0,6 kg
*with filter (must be installed for the use of oxygen)	

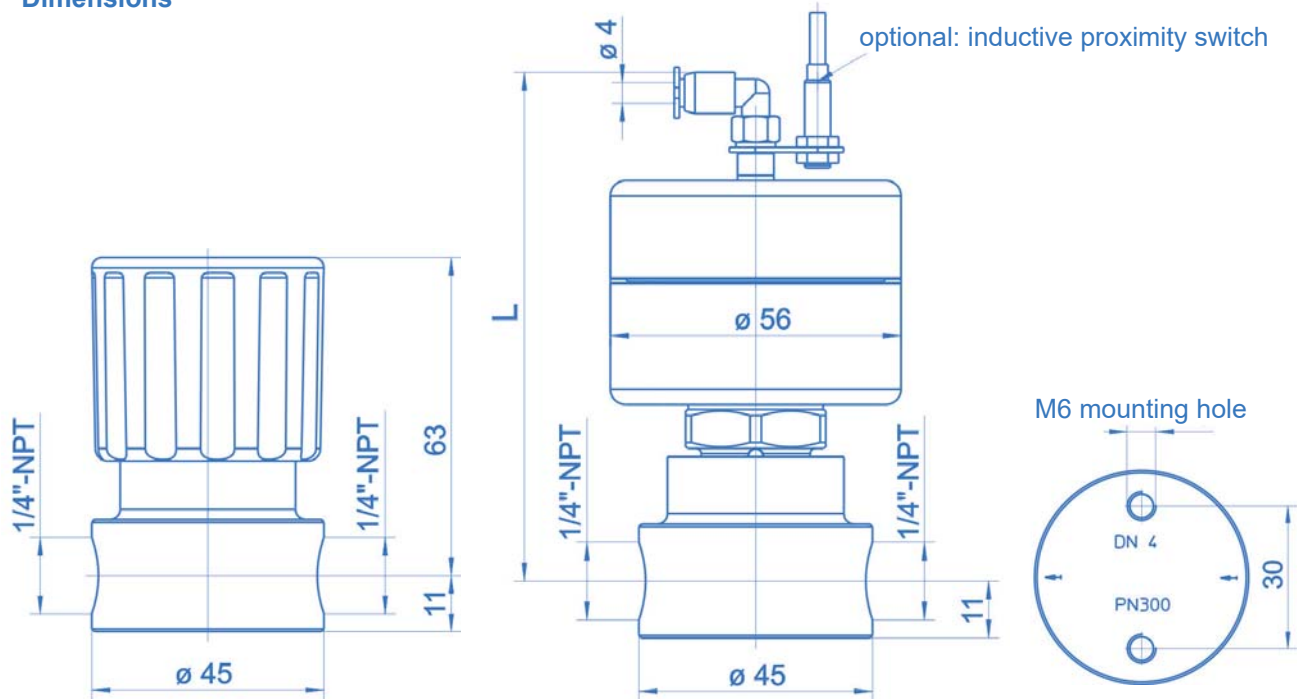
## Technical data pneumatic actuators

<b>Actuator pressure</b>	6 to 8 bar
<b>Actuator connector</b>	for hose Ø 4 mm
<b>Pneumatic function</b>	- normally closed (NC) - normally open (NO)
<b>Option</b>	inductive proximity switch

# Diaphragm shut-off valves MV3-E

spectro**cem**

## Dimensions



### Dimensions with pneumatic actuator

Pneumatic actuator	L [mm]	
	NC	NO
PN 25	108	98
PN 100	116	106
PN 200	125	115
PN 300	142	132

### Ordering information: valves series MV3-E

**MV3 - DV - H - E - NPTF1/4**

#### Type

**DV** globe valve (2 ports)

Other types upon request

#### Valve

**H** manual valve

**PN...** pneumatic actuator PN 25/100/200/300  
**PNI...** pneumatic actuator PN 25/100/200/300 with inductive proximity switch  
**N...** pneumatic actuator **NO / NC**