

# Pressure control panel MU13AC



MU13AC-1x1-0-SSE-M-0-F3-KH1/2

## Product features

- Acetylene pressure control panel for high flow rates
- Mobile version for attaching to Linde Acetylene bundles
- Single-stage system
- Pressure regulator with high control accuracy
- Pressure control panels comply with DIN-EN-ISO 14114\*\* and DIN-EN-ISO 15615
- Optionally with the following tested safety devices:
  - additional flashback arrester in twin outlet
  - over-pressure valve \*\*\*
  - automatic quick acting shut-off device (SSE)
  - Acetylene Safety Guard (ASG)
 For further information: see data sheet ASG

## Technische Daten

<b>Type</b>	single-stage
<b>Inlet pressure P<sub>1</sub></b>	max. 25 bar
<b>Outlet pressure P<sub>2</sub></b>	max. 1,5 or 2,5* bar

### Materials

Body regulator:	brass
Diaphragm regulator:	EPDM
Valve seat regulator:	PA
Mounting plate:	stainless steel
Ball valve:	steel, zinc plated

### Connectors

Inlet:	G 3/4"-LH male
Outlet flashback arrester:	G 1" female
Outlet over-pressure valve:	welding stub 14x2
Outlet KH1/2:	G 1/2" female

<b>Temperature range</b>	-20°C to +60°C
--------------------------	----------------

<b>Leak rate</b>	≤10 <sup>-4</sup> mbar l/s He
------------------	-------------------------------

<b>Weight</b>	15,5 kg
---------------	---------

\* upon request

\*\* This applies under the following conditions:  
SSE or ASG in the inlet and  
main shut-off valve in the outlet

\*\*\* An over-pressure valve is not considered to be a  
safety accessory according to the Pressure  
Equipment Directive 2014/68/EC (PED).

## Flow rates Q [m<sup>3</sup>/h] Acetylene

The withdrawal rate should not exceed approx. **0.5 Nm<sup>3</sup>/h per cylinder** in permanent operation, so no solvent from the cylinder will enter the withdrawal system. However, the flow rate may be increased to approx. 1 m<sup>3</sup>/h for brief peak loads.

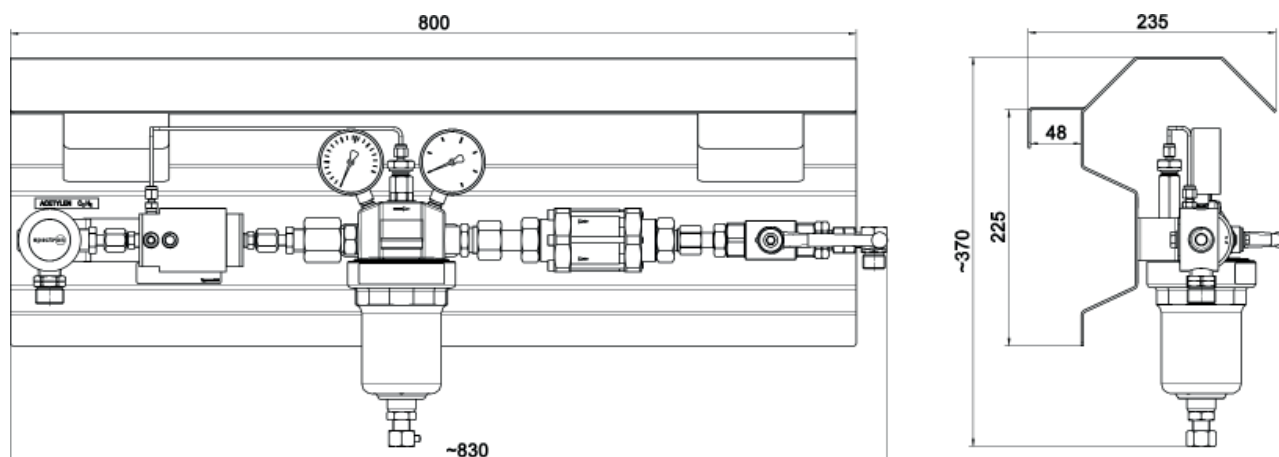
P <sub>1</sub> [bar]	SSE	
	P <sub>2</sub> [bar]	Q [m <sup>3</sup> /h]
18	0,93	20
10	1,14	20
7	1,20	20
4	1,22	20

Performance factor L<sub>10</sub> = 4,5

# Pressure control panel MU13AC

spectro**tec**

## Dimensions and connectors MU13AC-0-ASG-M-0-F3-KH1/2



### Ordering information: Pressure control panel MU13AC

**MU13AC - 0 - SSE - M - SV - F3 - KH1/2 - 2xF2**

#### Individual shut-off

- 0** without individual valves
- V** with additional ball valve for each individual cylinder

#### Quick acting shut-off\*\*

- SSE** automatic quick acting shut-off device
- ASG** Acetylene Safety Guard

#### Inlet press. indication

- M** pressure gauge
- K** contact pressure gauge
- PT** contact pressure gauge

#### Twin outlet

- 0** without twin outlet
- 2xF2** each with flashback arrestor

#### Main shut-off valve (outlet)\*\*

- 0** without valve in the outlet
- KH1/2** 1/2"-ball valve in the outlet

#### Flashback arrestor

- F3** with flashback arrestor

#### Over-pressure valve

- 0** without over-pressure valve
- SV** with over-pressure valve SV73 (not necessary with ASG)