

# Panel / Line regulator M51-4

spectrolab 



Line pressure regulator LM51-4



Example: PM51 panel mounted

## Product features

- Single-stage diaphragm line pressure regulator or for panel and panel surface mounting with anti-vibration device
- For non-corrosive gases and gas mixtures up to quality 6.0
- 4 ports for flexible and individual configuration
- High control accuracy
- Metal-to-metal seal to atmosphere
- Central filter
- Approved for use with oxygen
- New laboratory-style design
- Suitable for ECD-applications
- Pressure regulator can be evacuated

## Technical data

<b>Inlet pressure <math>P_1</math></b>	max. 300 bar
<b>Max. outlet pressure <math>P_2</math></b>	1,5 / 4 ( $P_1 \leq 50$ bar) 10 / 20 / 50 / 100 / 200 bar ( $P_1 > 50$ bar)

<b>Materials</b>	
Body:	chrome-plated brass
Diaphragm:	Hastelloy C276
Valve seat:	PA
Soft goods:	FPM
Filter:	stainless steel 1.4404

**In- / outlets** 1/4"-NPT female

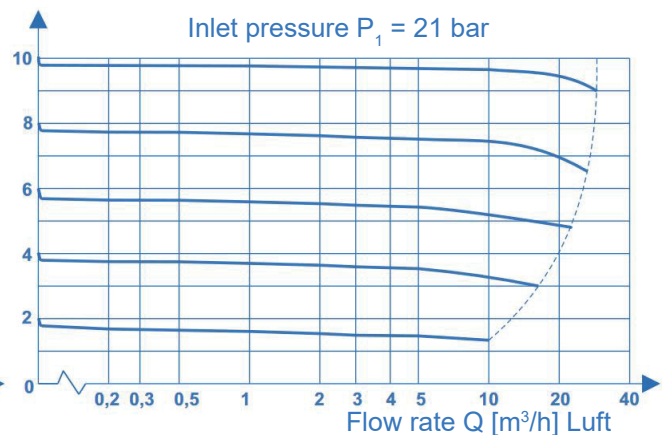
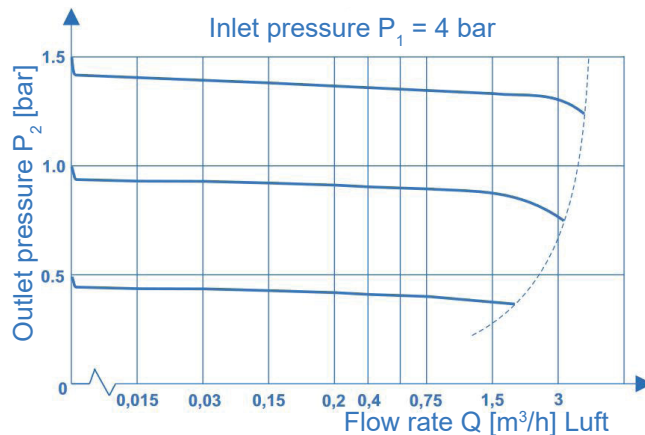
**Temperature range** -20°C to +60°C

**Leakrate (to atmosphere):**  $\leq 10^{-8}$  mbar l/s He  
(via seat):  $\leq 10^{-6}$  mbar l/s He

**$C_v$  value** 0,15

**Weight** 1,0 kg

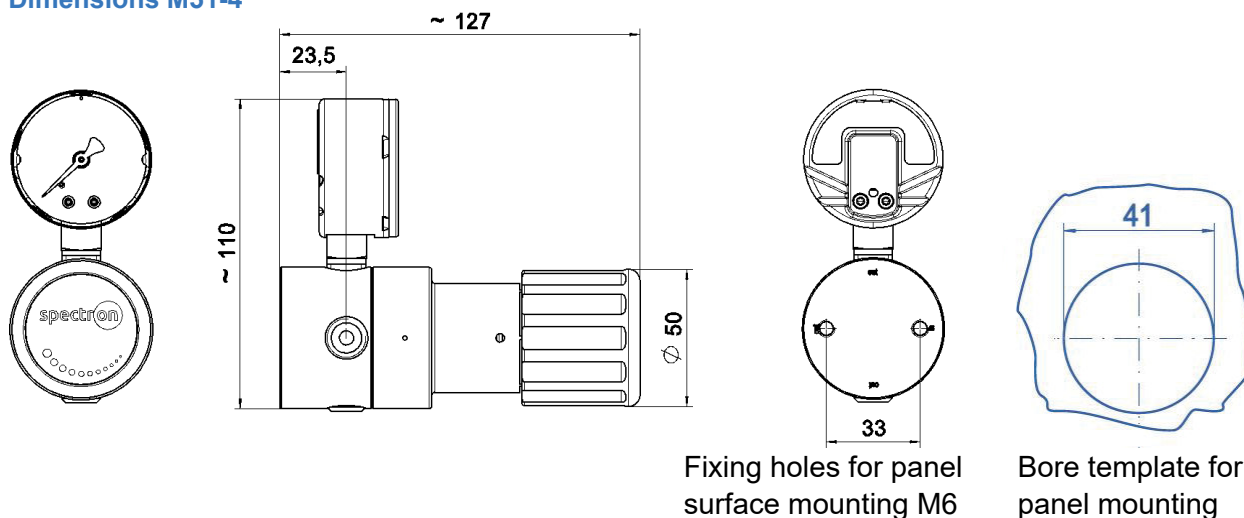
## Flow curves M51



# Panel / Line regulator M51-4

spectrolab

## Dimensions M51-4

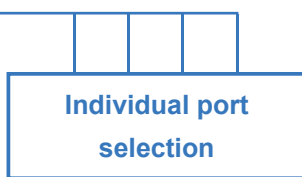
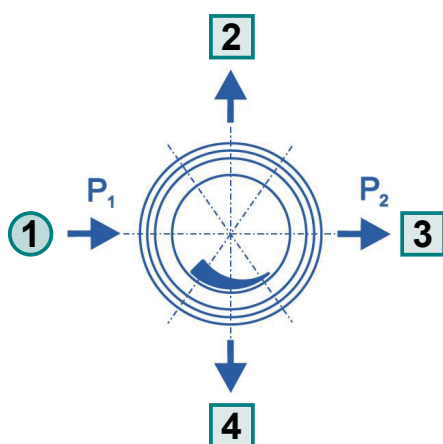


## Ordering information:

Pressure regulators M51-4

### In- / outlets

- CM 1/4** 1/8" / 1/4" / 1/2"-compression fitting (brass)
- CM 6** 3 / 6 / 8 / 10 / 12 mm - compression fitting (brass)
- CE 1/4** 1/8" / 1/4" / 1/2"-compression fitting (stainless steel)
- CE 6** 3 / 6 / 8 / 10 / 12 mm - compression fitting (stainless steel)
- B** plug
- A** relief valve - 1/4"-NPT-F ( $P_2 \leq 100$  bar)
- K** contact pressure gauge
- M** pressure gauge
- 0** 1/4"-NPT-F (port only)



**LM51 - 4 - 300 - 20 - 1 - 2 - 3 - 4 - H2**

### Type

- L** Line regulator
- P** Panel regulator

### Inlet pressure $P_1$

- 10** max. 10 bar
- 20** max. 20 bar
- 50** max. 50 bar
- 100** max. 100 bar
- 200** max. 200 bar
- 300** max. 300 bar

### Outlet pressure $P_2$

- 1,5** max. 1,5 bar ( $P_1 \leq 50$  bar)
- 4** max. 4 bar ( $P_1 \leq 50$  bar)
- 10** max. 10 bar
- 20** max. 20 bar
- 50** max. 50 bar
- 100** max. 100 bar
- 200** max. 200 bar

### Gas type

Please specify gas type!