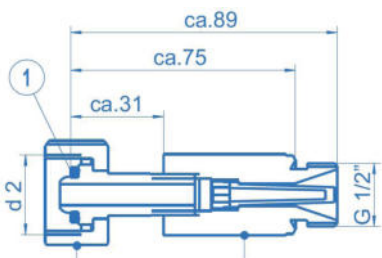
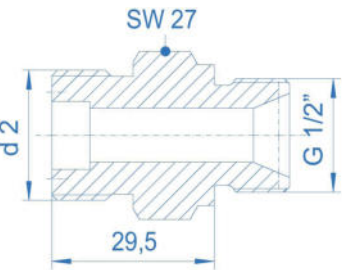
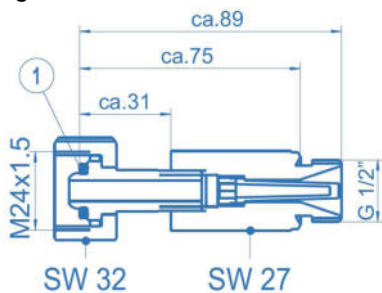
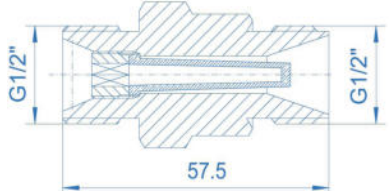


Inlet fittings and connections for U11 - U33

spectrotec

Fittings for in- and outlet without orifice hole

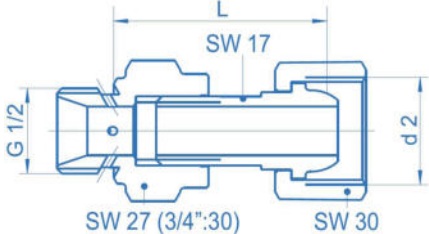
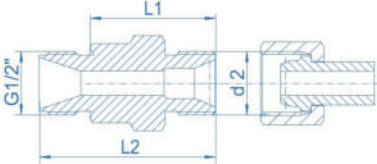
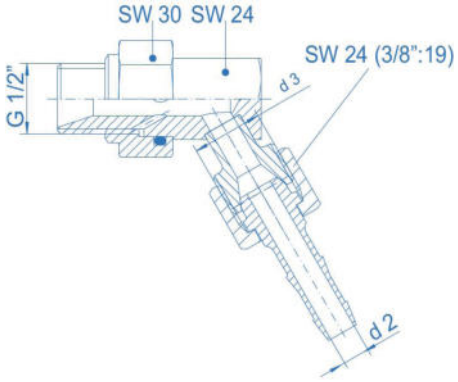
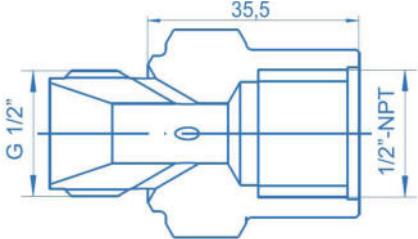
Drawing	Description	d 2	Art. no.	Material
 <p>SW 32 (No.1+6:30) SW 27</p>	DIN 477 No. 1	W21,8 LH x 1/14"	60FE0028	brass
	DIN 477 No. 6	W21,8 RH x 1/14"	60FE0029	
	DIN 477 No. 9	G 3/4"	60FE0030	sealing: Polyamide
	DIN 477 No. 10	W24,32 RH x 1/14"	60FE0031	
	① Sealing: 11,7 x 18,2 x 2,5		16207650	PA (standard)
	① Sealing: 11,5 x 19 x 2 including filter 20 µm		16204540	vulcanised fibre bronze
	DIN 477 No. 9	G 3/4"	71825561	brass
	DIN 477 No. 10	W24,32 LH x 1/14"	71825562	
	DIN 477 No. 6	W21,8 RH x 1/14"	71825563	
	M24 x 1,5	M24 x 1,5	51203230	
 <p>SW 32 SW 27</p>	with filter 20 µm	M24 x 1,5	60FE0032	brass
	① Sealing: 12 x 18 x 2 (included)		67321032	copper
	with filter 20 µm	G 1/2"-m bull nose	71708520	brass

* not suitable for oxygen!

Inlet fittings and connections for U11 - U33

spectrotec

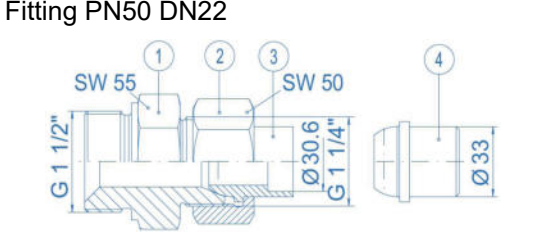
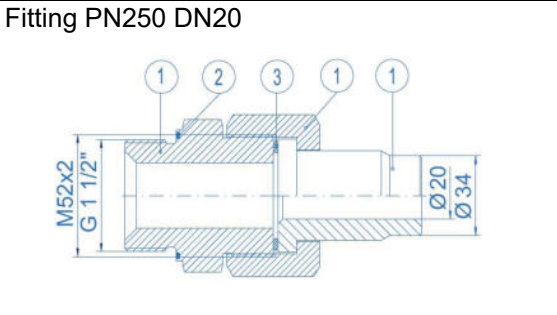
Fittings for in- and outlet with orifice hole

Drawing	Description	d 2	L	Art. no.	Material														
	G 3/4"RH	G 3/4"RH	53	71700212	brass														
	G 3/4"LH	G 3/4"LH	53	71701106	brass														
	G 1/2"RH (DN7)	G 1/2"RH	37	51212950	brass														
 <table border="1" data-bbox="268 1012 497 1169"> <thead> <tr> <th></th> <th>L1</th> <th>L2</th> </tr> </thead> <tbody> <tr> <td>G 1/2"</td> <td>31</td> <td>47,5</td> </tr> <tr> <td>G 3/4"</td> <td>45</td> <td>61,5</td> </tr> <tr> <td>G 1"</td> <td>50</td> <td>66,5</td> </tr> <tr> <td>G 1 1/4"</td> <td>55</td> <td>71,5</td> </tr> </tbody> </table>		L1	L2	G 1/2"	31	47,5	G 3/4"	45	61,5	G 1"	50	66,5	G 1 1/4"	55	71,5	Fitting, complete 15x1		51215000	
		L1	L2																
	G 1/2"	31	47,5																
	G 3/4"	45	61,5																
	G 1"	50	66,5																
	G 1 1/4"	55	71,5																
	Connection	G 1/2" male	51214990	brass															
	Soldering bush + nut	G 1/2" female	71825103	brass															
	Fitting, complete 18x1		51214900																
	Connection	G 3/4" male	51214890	brass															
	Soldering bush + nut	G 3/4" female	71825105	brass															
	Fitting, complete 22x1		51214600																
	Connection	G 1" male	51214590	brass															
	Soldering bush + nut	G 1" female	71825107	brass															
Fitting, complete 28x1,5		51231700																	
Connection	G 1 1/4" male	51214530	brass																
Soldering bush + nut	G 1 1/4" female	71827196	brass																
Connection	G 3/4"LH male	71703546	brass																
	Fitting, complete (angular) with gland																		
	d3: G 1/2"	9 mm	51213450	brass															
	d3: G 1/2"	13 mm	51207500	brass															
	d3: G 3/8"LH	9 mm	71700653	brass															
	G 1/2"	1/2"-NPT female	71708629	brass															

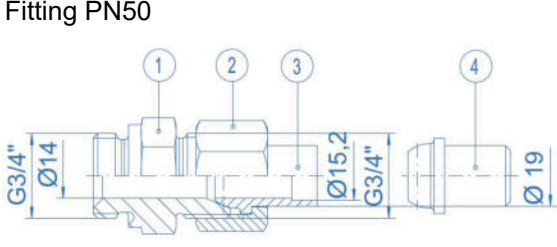
Inlet fittings and connections for U11 - U33

spectrotec

Fittings for in- and outlet

Drawing	Description	Art. no.	Material
Fitting PN50 DN22 	Fitting, complete	66612890	
	① Threaded connection	67701043	brass
	② Union nut	47131070	brass
	③ Soldering bush	71826931	brass
	optional:		
	④ Welding stub	71825388	Stahl*
Fitting PN250 DN20 	Fitting, complete	71707654	
	① Fitting M52 x 2	71705238	brass
	② O-ring 50 x 2	0320080	Perbunan
	③ Usit-ring 36,7 x 46 x 2	17000880	brass / Perbunan*

Low pressure fitting for relief valve outlet and bonnet

Drawing	Description	Art. no.	Material
Fitting PN50 	Fitting, complete	66612898	
	① Threaded connection DN19	701040	brass
	② Union nut	286415	brass
	③ Soldering bush DN14	71826929	brass
	optional:		
	④ Welding stub DN14	71825384	steel*

* not suitable for oxygen!