

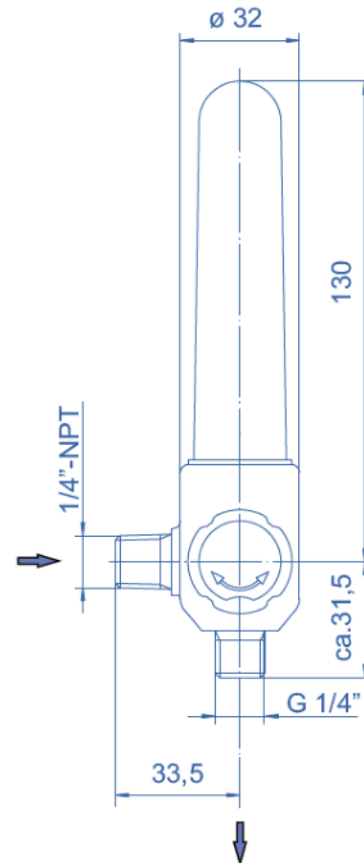
Flowmeter FL32

spectrotec



Floating type flowmeter

Dimensions



Technische Daten

Type	floating type
Calibration pressure	1,4 / 4 bar
Materials	
Body:	brass
Elastomers:	FKM
Flowmeter:	glass
Protection cap:	Polycarbonate
Valve stem:	CuZn35Ni2
Connectors	
Inlet:	1/4"-NPT male
Outlet:	G 1/4" male
Temperature range	-20°C to +60°C
Leak rate	≤10 ⁻⁴ mbar l/s He
Weight	330 g

Product features

- Flowmeter for non corrosive technical gases
- Suitable e.g. for tapping points to dose shielding or forming gases
- Flow ranges: 1...50 l/min.

Ordering information: Flowmeter FL32

FL32 - 4- Ar/CO2 - 16

Calibration pressure

1,4	1,4 bar
4,0	4,0 bar

Type of gas + flow range

Ar - 5	1-5 l/min. (for 1,4 bar)
Ar/CO2 - 16	2-16 l/min. (for 4 bar)
N2 - 16	2-16 l/min. (for 4 bar)
Ar/H2 - 16	2-16 l/min. (for 4 bar)
Forming gas- 30	5-30 l/min. (for 4 bar)
Ar/CO2 - 35	5-35 l/min. (for 4 bar)
N2 - 45	10-45 l/min. (for 4 bar)
H2 - 50	5-50 l/min. (for 4 bar)