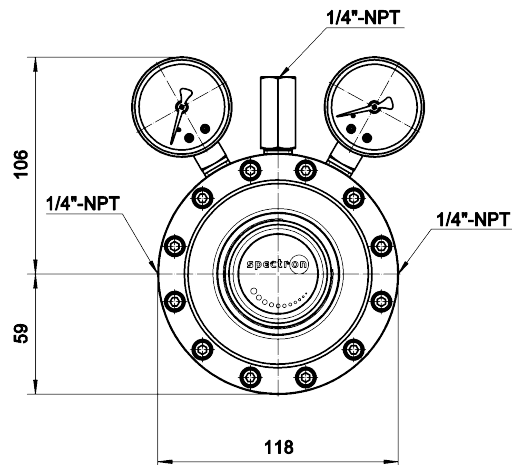


# Cylinder pressure regulator FE121 **spectro**cem



Pressure regulator FE121 SP



Dimensions

## Product features

- Single-stage cylinder pressure regulator
- Simple and safe gas withdrawal from gas cylinders, for corrosive gases and gas mixtures up to quality 6.0 up to 25 bar vapour pressure.
- For corrosive gases and gas mixtures with >1% corrosive components we recommend the use of a purging device (FE121 SP)
- New laboratory-style design
- Ergonomically designed
- Filter at the regulator inlet
- High control accuracy due to large diaphragm
- Integrated relief valve
- Available with purge device FE121 SP
- Simple outlet pressure limitation by handwheel
- Powder-coated bonnet

## Technical data

<b>Inlet pressure <math>P_1</math></b>	max. 25 bar
<b>Outlet pressure <math>P_2</math></b>	0.1 to 1.5 bar (higher values upon request)

<b>Materials</b>	
Body:	SS 1.4404 (SS 316L)
Diaphragm:	Hastelloy C276
Valve seat:	PCTFE
Inlet gasket:	PCTFE

**Inlet** Cylinder connection

**Outlet** 1/4"-NPT female

**Temperature range** -20°C to +60°C

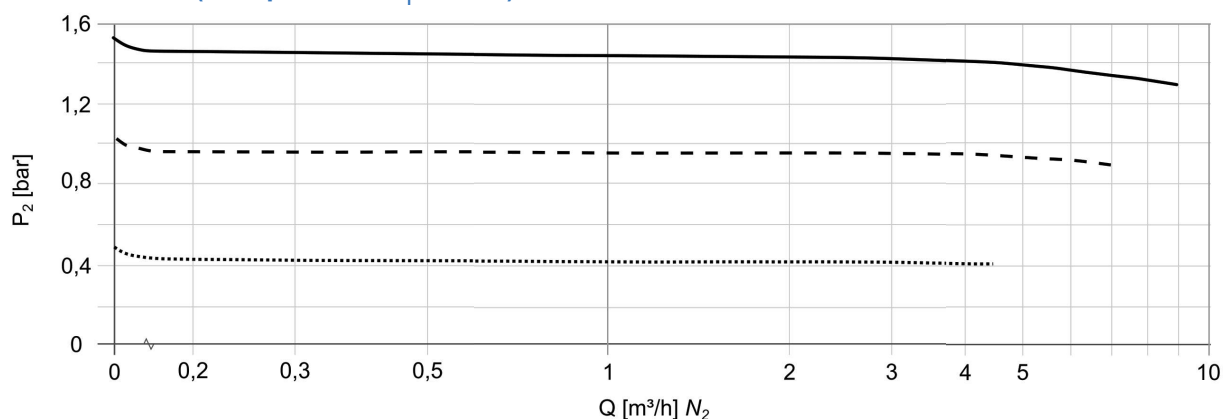
**Leak rate**  $\leq 10^{-8}$  mbar l/s He

**Flow rate  $Q$**  max. 9 m<sup>3</sup>/h\*

**Weight** 2.1 kg

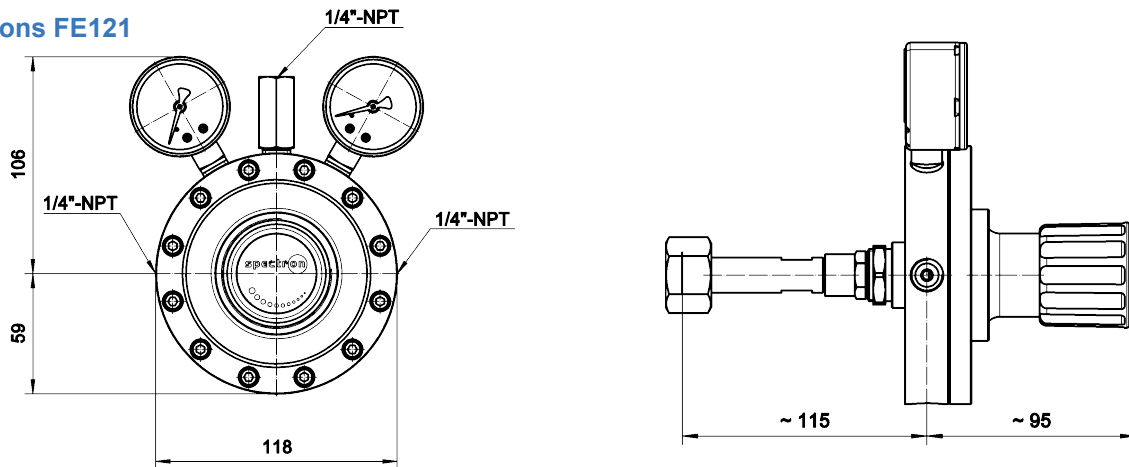
\* see flow curves

## Flow curves FE121 (inlet pressure $P_1 = 4$ bar)

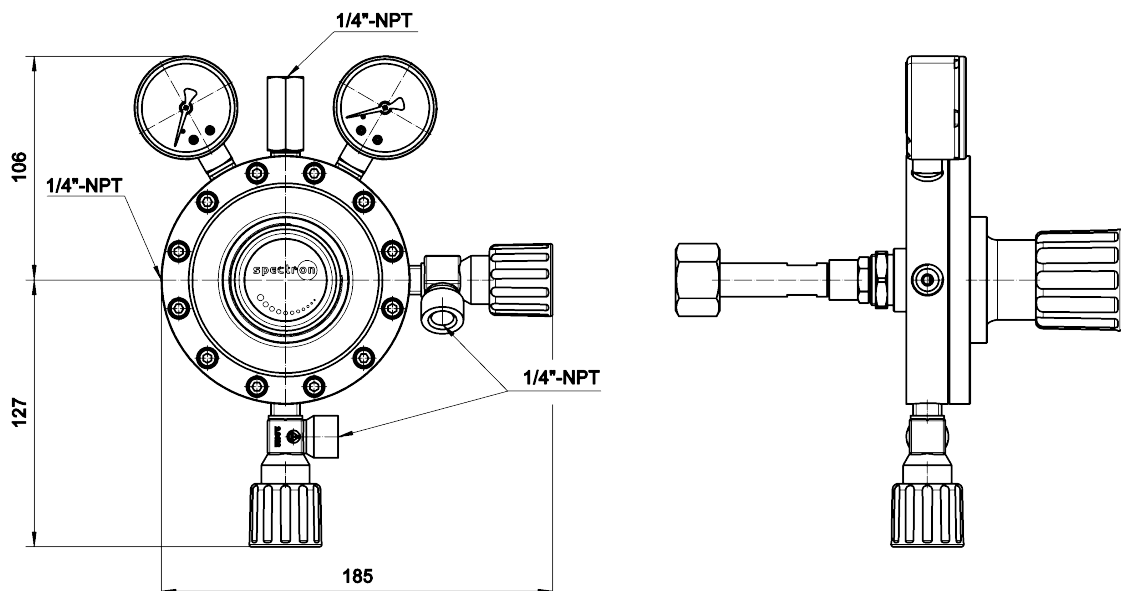


# Cylinder pressure regulator FE121 spectrochem

## Dimensions FE121



## Dimensions FE121 SP



## Ordering information: Pressure regulator FE121

**FE121 - 25 - 1,5 - DIN6 - NH3**

### Type

- 121 single-stage without purge device
- 121 SP single-stage with purge device

### Inlet pressure $P_1$

- 25 max. 25 bar
- others upon request

### Outlet pressure $P_2$

- 1,5 max. 1,5 bar
- others upon request

### Gas type

Please specify gas type!

### Cylinder connection

Detailed description of the cylinder connection including the relevant standard and the connection number (e.g. BS no. 3)