



**Tapping point EU23 (form A)**  
**EU23-BV-40-2,5-M-M-G1/2**

### Product features

- Tapping point with ball valve, diaphragm pressure regulator and wall bracket
- For non-corrosive industrial gases
- Single-stage with high control accuracy
- Central filter in the pressure regulator
- Safety pressure gauge acc. to DIN ISO 5171
- Pressure regulator with integrated relief valve

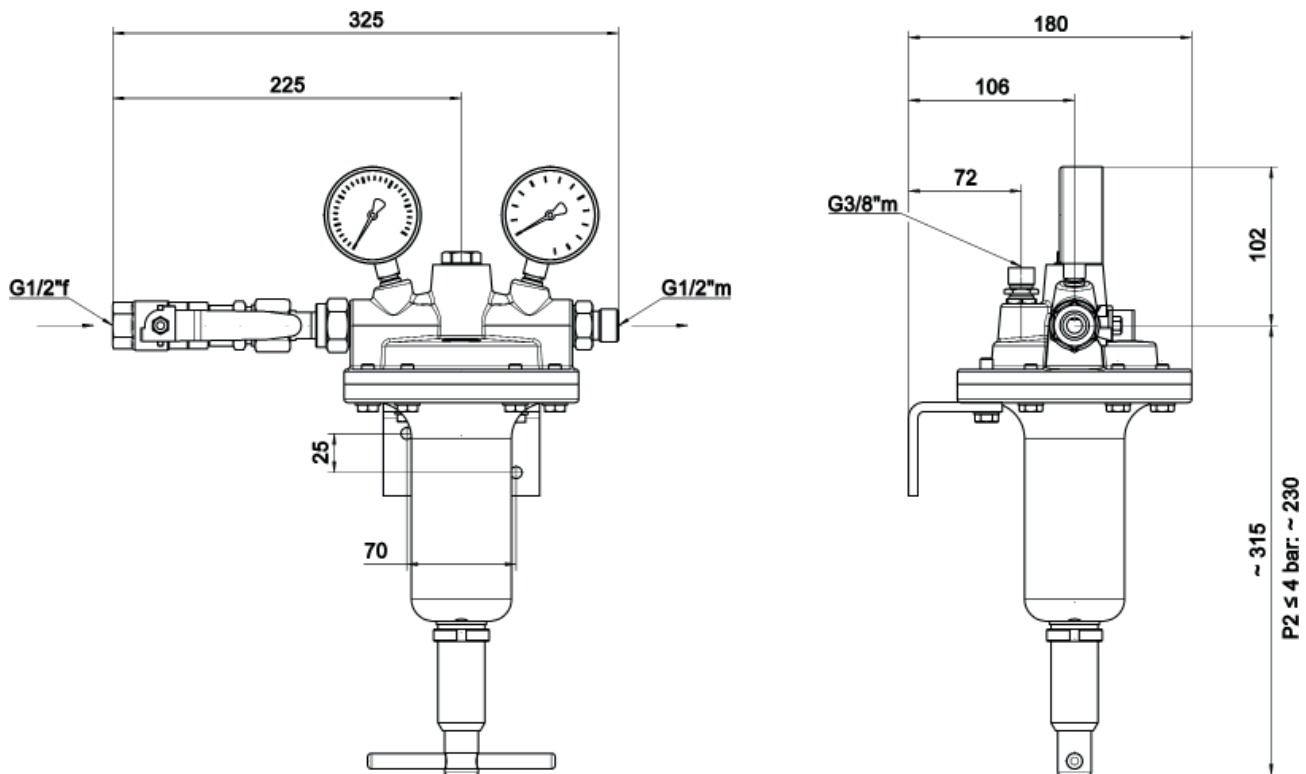
### Technical data

<b>Type</b>	single-stage
<b>Flow rate Q</b>	max. 500 m <sup>3</sup> /h
<b>Inlet pressure P<sub>1</sub></b>	max. 40 bar
<b>Outlet pressure P<sub>2</sub></b>	max. 2,5 / 4 / 10 bar
<b>Materials</b>	
Body:	brass
Bonnet:	Alu (powder coated)
Valve seat:	PA
Diaphragm:	NBR
<b>In- and outlets</b>	
Inlet:	G 1/2" female
Outlet:	G 1/2" male
Pressure gauge ports:	G 1/4" female
Outlet relief valve:	G 3/8" male
<b>Temperature range</b>	-20°C to +60°C
<b>Leak rate</b>	<10 <sup>-4</sup> mbar l/s He
<b>Weight</b>	ca. 5,8 kg

### Performance factors and outlet pressures to find the flow rates of the tapping points EU23

max. outlet pressure P <sub>2</sub> [bar] at 40 bar inlet pressure		1,5	2,5	10
Performance factor	L <sub>5</sub> (5% pressure drop)	6	6	7
	L <sub>10</sub> (10% pressure drop)	7,5	7,5	8,5
	L <sub>max</sub>	9	9	10
Outlet pressure variations [%] relating to inlet pressure variation		1,5	1,5	2

## Dimensions and connections



## Ordering information: Tapping points EU23

**EU23 - BV - 40 - 2,5 - M - M - G1/2 - NFG**

### Inlet pressure $P_1$

40 max. 40 bar

### Outlet pressure $P_2$

2,5 max. 2,5 bar (Form A)

4 max. 4 bar (Form A)

10 max. 10 bar (Form B)

### Type of gas

**NFG** non flammable gases

**FG** flammable gases

**O2** oxygen