

Tapping point pressure regulator ET2000 with flow indication

spectrotec



ET2000-40-FL30



ET2000-40-2FL30



ET2000-DM16

Product features

- Tapping point pressure regulator with flow indication (flowmeter or flow gauge)
- For non-corrosive industrial gases
- Gas specific orifice in the outlet with flow gauge version
- Approved for use with oxygen
- Single-stage type with high control accuracy
- Central filter in the pressure regulator
- Safety pressure gauge acc. to DIN EN ISO 5171
- Compact design
- Low weight

Technical data

Type single-stage

Inlet pressure P_1 max. 40 bar

Indication range 0,2 - 30 l/min.

Materials

Body: brass

Diaphragm: EPDM

Valve cone: PA

Protection cap: polycarbonate

Connections

Inlet NFG: G 3/8" union nut

FG: G 3/8"LH union nut

Outlet NFG: G 1/4" + gland 6mm

FG: G 3/8"LH + gland 9mm

Temperature range -20°C to +60°C

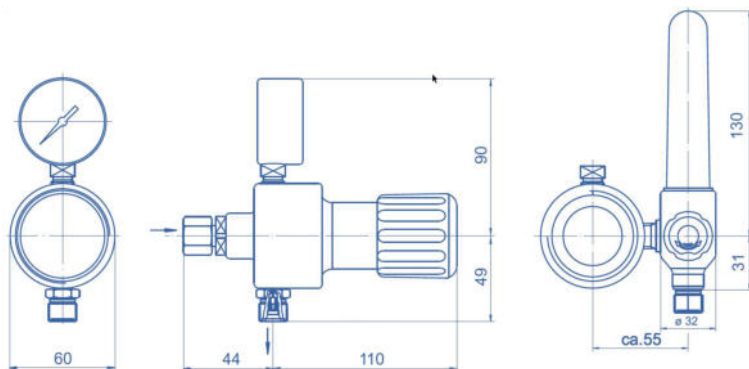
Leak rate $\leq 10^{-4}$ mbar l/s He

Weight ET2000 DM: 1,3 kg

ET2000 FL: 1,4 kg

ET2000 2FL: 1,8 kg

Dimensions



Flowmeter for pressure regulator ET2000

indication [l/min.]	medium	pressure P_2
FL 5: 1 - 5	argon	1,4 bar
FL 16: 2 - 16	Ar-CO ₂ nitrogen Ar-H ₂	4 bar
FL 30: 5 - 30	forming gas	
FL 35: 5 - 35	Ar-CO ₂	
FL 45: 10 - 45	nitrogen	
FL 50: 5 - 50	hydrogen	

indication [l/min.]	medium	pressure P_2
DM 16: 1 - 16	Ar-CO ₂	4 bar
DM 32: 4 - 32	Ar-CO ₂	4 bar