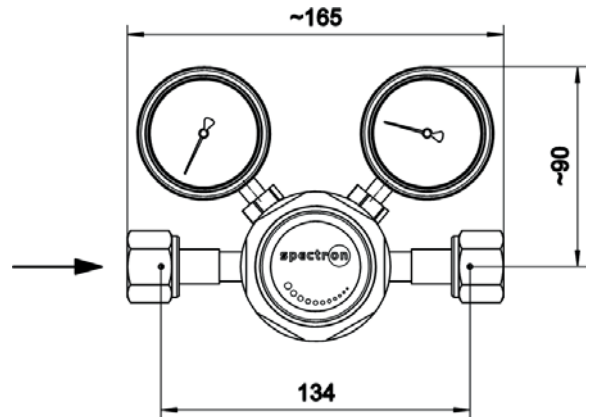


# Pressure regulator E71-VCR

spectron 



Pressure regulator E71-VCR



## Product features

- Pressure regulator for hazardous gases and ultra high purity gases from grade 6.0
- Single-stage regulator with anti vibration device
- Pressure regulator can be evacuated
- High control accuracy
- Metal-to-metal seal to atmosphere
- High surface quality
- Minimized internal volume for short purge times
- Electro-polished surfaces (gas wetted)
- Simple outlet pressure limitation by handwheel
- 100 % Helium leak tested
- Assembly in clean room class ISO 5.0

## Technical data

**Inlet pressure  $P_1$**  max. 50 bar

**Outlet pressure  $P_2$**  max. 1,5 / 4 / 10 bar

### Materials

Body: Stainless steel 1.4404

Diaphragm: Hastelloy C276

Other gas wetted parts: Stainless steel 1.4404

Sealings: PTFE

**Surface roughness**  $R_{a,max} \leq 0,25 \mu m$

(gas wetted areas)  $R_{a,Avg} \leq 0,18 \mu m$

**Temperature range** -20°C to +60°C

### Leak rates

to atmosphere:  $\leq 10^{-9}$  mbar l/s He

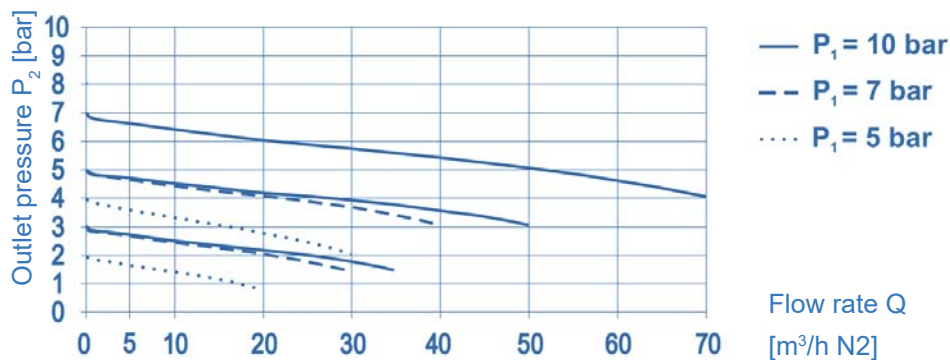
via valve seat:  $\leq 10^{-6}$  mbar l/s He

**$c_v$ -value**  $c_v = 0,7$  ( $k_v = 0,6$ )

**In- / outlet** 1/2"-VCR male or  
1/2"-VCR female

**Weight** 1,5 kg

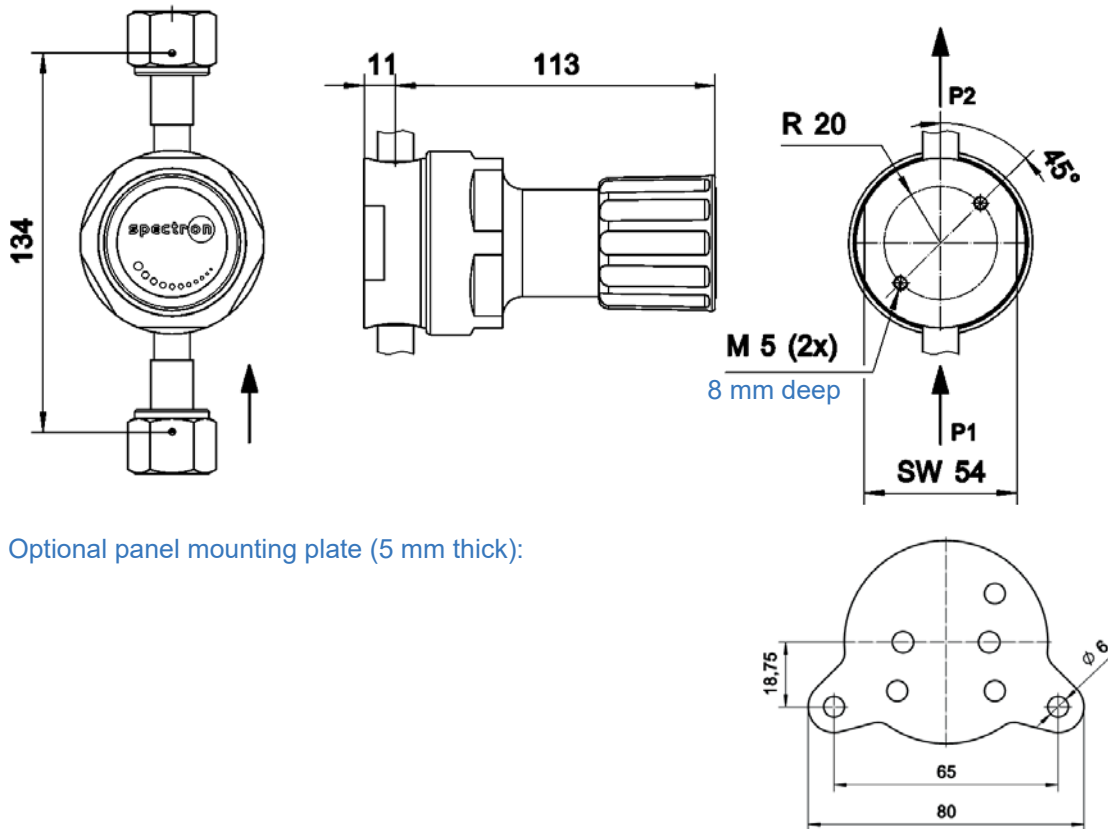
## Flow curves E71-VCR



# Pressure regulator E71-VCR

spectron 

## Dimensions



Optional panel mounting plate (5 mm thick):

## Ordering information: Pressure regulator E71-VCR

**E71 - 4 - 50 - 10 - VCRm - VCRm - M - M - Gas**

### In-/Outlets

2 2 ports  
4 4 ports

### Inlet pressure P<sub>1</sub>

50 max. 50 bar

### Outlet pressure P<sub>2</sub>

1,5 max. 1,5 bar  
4 max. 4 bar  
10 max. 10 bar

### Outlet press. indication

### Inlet press. indication

M pressure gauge  
K contact pressure gauge  
PT pressure transmitter  
B without (plug)  
0 1/4"-VCR female port only

### Outlet

VCRm 1/2"-VCR male  
VCRf 1/2"-VCR female

### Inlet

VCRm 1/2"-VCR male  
VCRf 1/2"-VCR female