

# Diaphragm shut-off valves DVM

spectrolab



DVM-8-NPTF1/4



DVM-13-NPTF1/2



DVM-19-NPTF3/4

## Product features

- Brass diaphragm valves for manual shut-off
- For non corrosive gases up to quality 6.0
- Diaphragm metal-to-metal sealed to atmosphere
- Laboratory style design
- Ergonomically designed
- Suitable for up to 40 bar pressure
- Approved for use with oxygen
- Fully functional under vacuum
- DVM-8 optional with position indicator

## Technical data

### Operating pressure

DN8 / DN13:	max. 40 bar
DN19:	max. 25 bar

<b>Seat diameter</b>	8 / 13 / 19 mm
----------------------	----------------

### Materials

Body:	chrome plated brass
Diaphragm DN8:	stainless steel 1.4571
Diaphragm DN13 / DN19:	stainless steel 1.4310

<b>In- / outlet</b>	see dimensions
---------------------	----------------

<b>Temperature range</b>	-20°C to +60°C
--------------------------	----------------

<b>Leakrate (to atmosphere):</b>	$\leq 10^{-8}$ mbar l/s He
(via valve seat):	$\leq 10^{-6}$ mbar l/s He

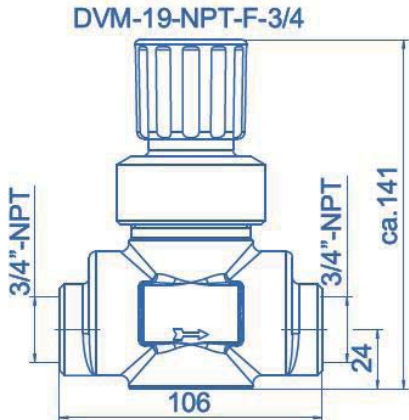
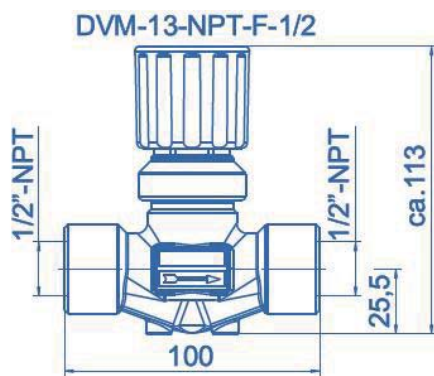
<b>c<sub>v</sub>-value DN8</b>	1/4"-NPT:	1,47
	3/8"-NPT:	1,47

<b>c<sub>v</sub>-value DN13</b>	2,1
<b>c<sub>v</sub>-value DN19</b>	3,1

# Diaphragm shut-off valves DVM

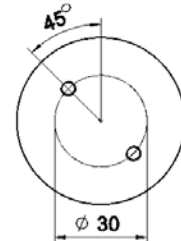
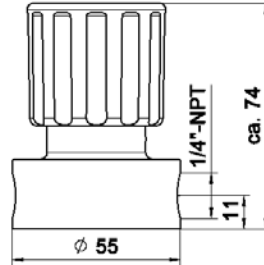
spectrolab

## Dimensions



DVM-8-NPT-F-1/4

\*M5-mounting hole



## Ordering information: valves series DVM

### DVM - 13 - NPTF1/2

#### Seat diameter

8	8 mm
13	13 mm
19	19 mm

#### In- / outlet

NPTF1/4*	1/4"-NPT female
NPTF3/8*	3/8"-NPT female
*...SA	with position indicator
NPTF1/2	1/2"-NPT female
NPTF3/4	3/4"-NPT female