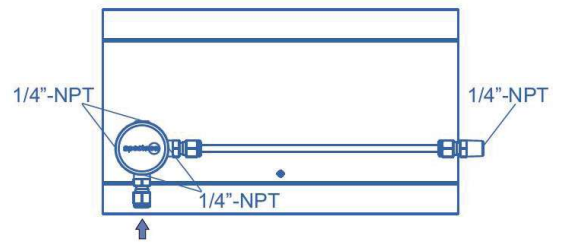


Extensions BE55+56-E



Extensions BE55-E



Product features

- Extension modules for pressure control panels Spectrochem BE55 and BE56 series
- For corrosive gases and gas mixtures up to quality 6.0
- Laboratory style design
- Designed for easy installation
- With filter in the inlet of each individual extension module

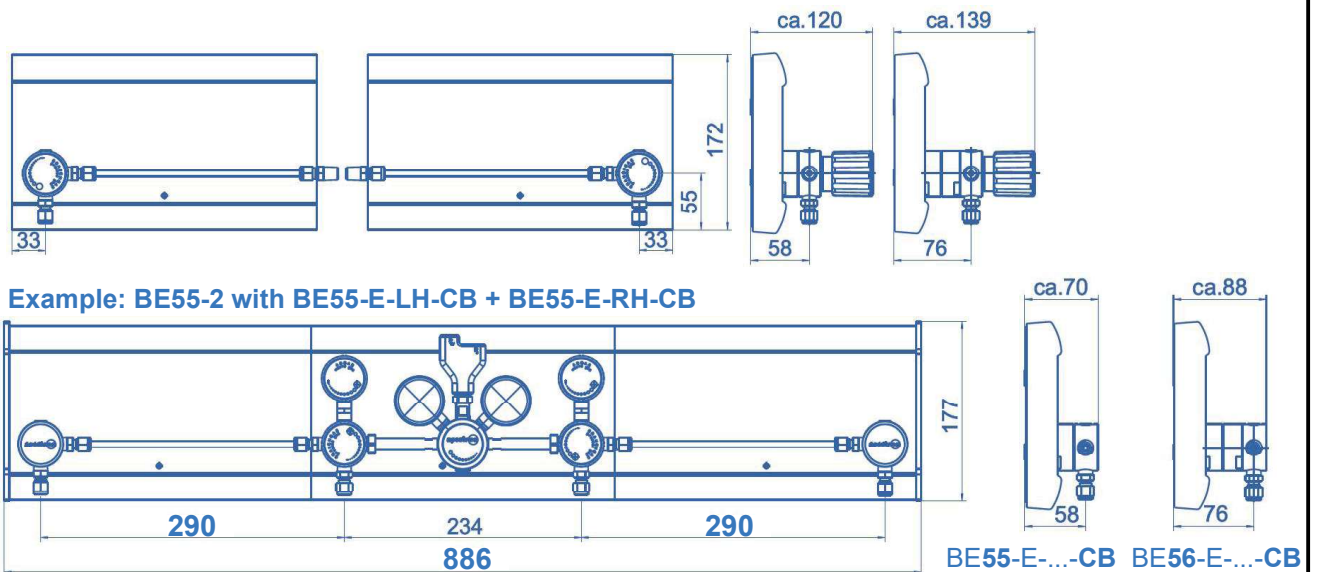
Technical data

Inlet pressure P_1	max. 300 bar
Materials	
Body:	stainless steel
Pipes:	stainless steel
Filter:	sintered stainless steel
Inlet	stainless steel compression ring fitting 6x1 mm
Temperature range	-20 to +60°C
Weight	ca. 1 kg per side

BE55-E-LH-V

BE55-E-RH-V

BE55-E-...-V BE56-E-...-V



Example: BE55-2 with BE55-E-LH-CB + BE55-E-RH-CB

Ordering information: Extensions BE55+56-E

BE55 - E - LH - CB

Type

- 55** single-stage panel BE55 or BE56-2U
- 56** double-stage panel BE56-1 or BE56-2

Side

- RH** right
- LH** left

Inlet

- CB** connection block
- V** valve (manual)
- VP** pneumatic valve