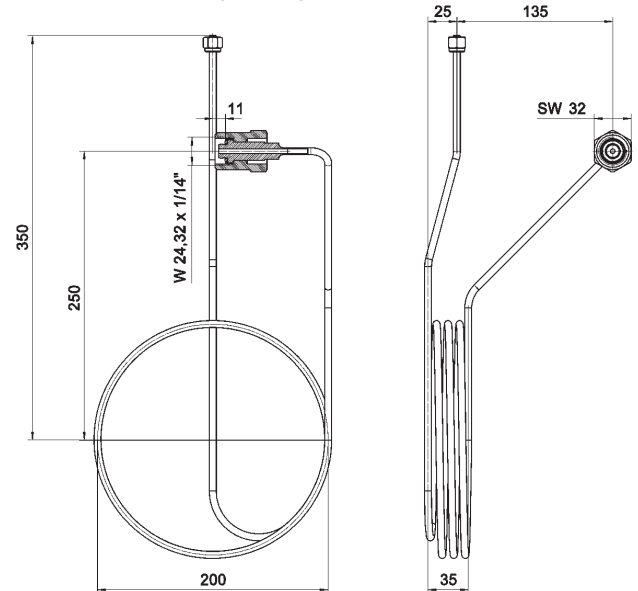




Pigtail SR-200-DIN 10-N₂ with 200 bar manual connection for DIN-cylinder valves (for non-corrosive gases)

Dimensions: pigtail with manual connection (200 bar)



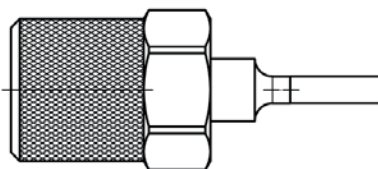
Product features

- Stainless steel-pigtail for the connection of a gas cylinder to BE/BM series pressure control panels
- For gases up to quality 6.0
- 4 windings for high flexibility in all directions
- Manual cylinder valve connector for easy installation and cylinder change without tools (for DIN-connectors for non-corrosive gases and CEN-connections only)
- Compact pigtails also suitable for gas cabinets or applications with other space constraints

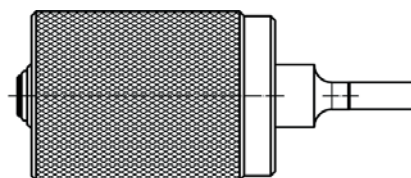
Technical data

Nominal pressure	200 / 300 bar
Nominal diameter	4 mm
Materials	SS 1.4404
Nut	brass
Leak rate	< 10 ⁻⁸ mbar l/s He
Temperature range	-30 to +60°C
Cylinder connection	acc. to international standards and gas type
Outlet connection	compression ring fitting 6mm (stainless steel)

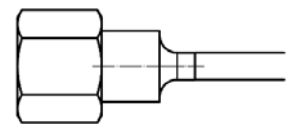
Cylinder connections



Cylinder valve connector with knurled nut for valves acc. to DIN 477 (for non-corrosive gases only)



Cylinder valve connector with knurled nut for 300 bar (CEN-connectors)



1/4"-NPT connector with internal thread for the installation of individual cylinder connectors (EURO-pigtail)

Ordering information: Pigtails for pressure control panels BM/BE

SR - 200 - DIN 10 - N2

Type

SR pigtail for pressure control panels series BM/BE

Gas type

Please specify gas type!

Nominal pressure

200 max. 200 bar
300 max. 300 bar (CEN)

Cylinder connection

Detailed description of the cylinder connection (e.g. BS no. 3 for 200 bar or ISO 30 for 300 bar)

Product features cylinder brackets

- Cylinder bracket to protect gas cylinders against falling and to position the cylinder

Technical data

Materials

Bracket: cast aluminium, blasted
Chain: zinc-plated steel

Depth T

20 l cylinder 130 mm
50 l cylinder 180 mm

Article no.

718.32028

Dimensions

Cylinder bracket in front and top view
right: chain

