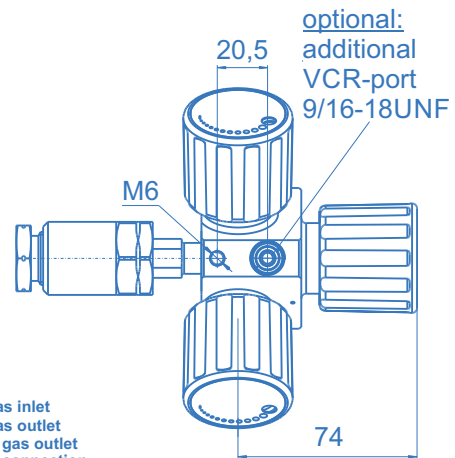


Purge- and connection block SBE/3-MV3

spectro pur



Purge- and connection block
SBE/3-MV3-R-PN200NC-H-H-VCRf-P-0-DIN1



- Features:
- purge gas inlet
 - waste gas outlet
 - process gas outlet
 - cylinder connection
 - purge gas capillary tube integrated in one body

Product features

- Minimized purge volume of only 1,4 cm³
- Capillary tube allows purging into the cylinder valve
- Metal-to-metal seal to atmosphere using metal diaphragms made of Hastelloy C276
- All gas-wetted parts made of stainless steel SS 316L, Hastelloy C276 and PCTFE or PVDF respectively
- Fully functional even when valves are evacuated
- Minimum particle generation, as no parts are exposed to friction and no spring is in the gas wetted area
- Embedded soft seat seal made of PCTFE permits frequent operation without loss of tightness
- Modular design for easy replacement of internal parts
- Clearly legible position indication (on/off)
- High surface quality
- 100 % Helium-leak-tested
- Assembly in cleanroom class ISO 5.0
- Approved for the use with oxygen up to 250 bar
- 2 versions: inlet (gas cylinder) on the right or on the left side (process gas valve is always behind)

Technical data

Materials:	
Body:	SS 1.4404 (SS 316L)
Diaphragms:	Hastelloy C276
other gas wetted parts:	ES 1.4404 (SS 316L)
Valve seat seal:	PCTFE or PVDF
Surface roughness	
(gas-wetted areas)	$R_{a, max.} \leq 0,25 \mu m$ $R_{a, Avg.} \leq 0,13 \mu m$
Leak rate:	
to atmosphere:	$< 10^{-9}$ mbar l/s He
via valve seat:	$< 10^{-6}$ mbar l/s He
Pressure range:	
Manual valve:	max. 300 bar
Pneumatic valve:	max. 25 / 100 / 200 / 300 bar
C_v-value:	$c_v = 0,13$ ($k_v = 0,11$)
Nominal size:	DN 3
Gas cylinder valve connection:	
• acc. to DIN 477 depending on gas type	
• acc. to other standards (as BS, AFNOR, UNI) upon request	

Dimensions with pneumatic actuator [mm]:

pneumatic actuator	NC			NO		
	A	B	C	A	B	C
PN 25	97	69	117	88	63	106
PN 100	104	73	126	95	67	115
PN 200	111	77	135	102	71	124
PN 300	127	87	152	118	81	141

Technical data pneumatic actuators

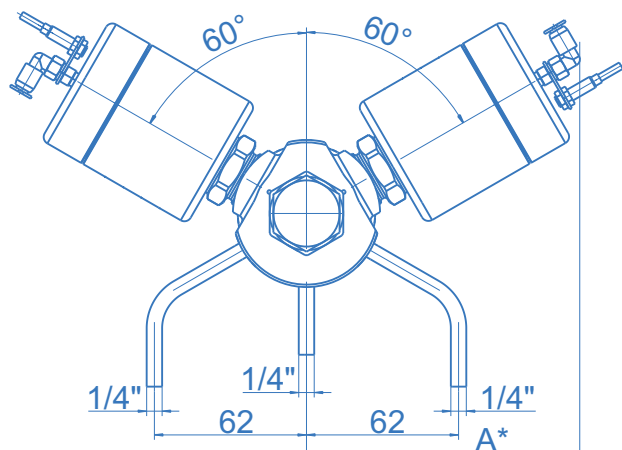
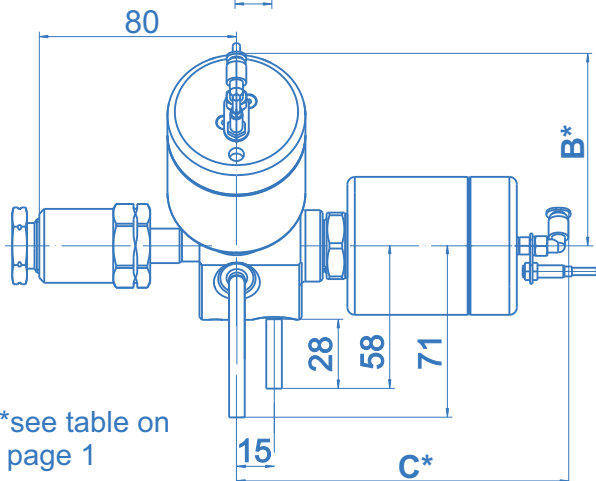
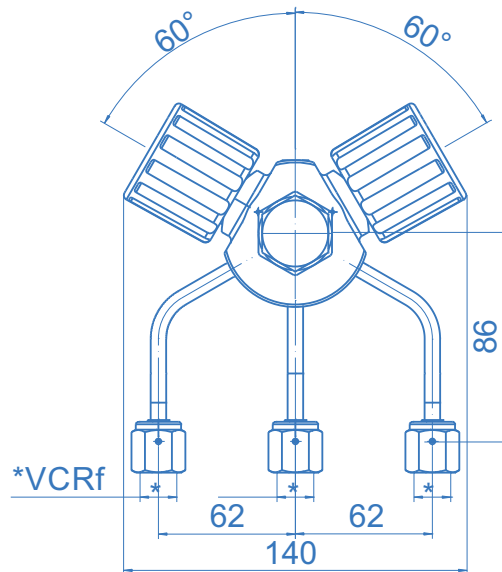
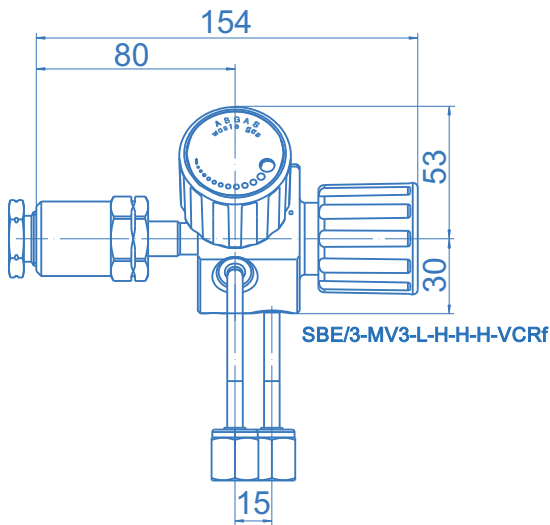
Actuator pressure:	6 to 8 bar
Actuator connector:	for hose Ø 4mm
Pneumatic function:	- normally closed (NC) - normally open (NO)
Option:	- inductive proximity switch

Fully functional under vacuum

Purge- and connection block SBE/3-MV3



Purge- and connection block SBE/3 - dimensions



Ordering information:

Purge- and connection blocks SBE/3-MV3

SBE/3 - MV3 - L - PN25NC - H - H - VCRf - P - 0 - DIN 6

Inlet

- L - left (process gas valve behind)
- R - right (process gas valve behind)

Process gas valve

Purge gas valve

Waste gas valve

- H - manual valve

- PN - pneumatic actuator PN 25/100/200/300
- PNI - pneumatic actuator PN 25/100/200/300 with inductive proximity switch
- N... - pneumatic actuator NO / NC

Cylinder connection

Detailed description of the cylinder connection

Additional VCR-port

- B - add. 1/4"-VCR-port+plug
- 0 - without add. VCR-port

Surface Roughness R_a

- P - 0,25 μ m
- HP - 0,18 μ m

In- / Outlets

- VCRf - 1/4"-VCR-female
- VCRm - 1/4"-VCR-male
- OD 1/4 - tube stub 1/4"