

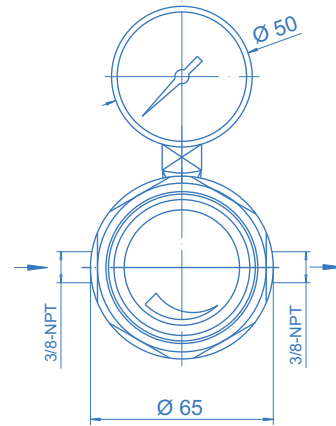
# Line pressure regulator LM71

spectro lab



Pressure regulator LM71

## Dimensions Pressure regulator LM71



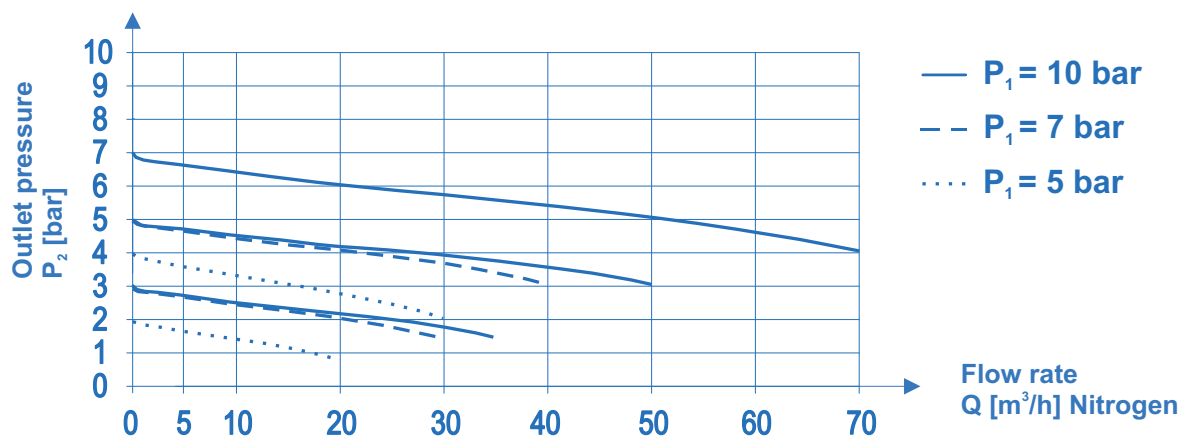
### Product features

- Single-stage line pressure regulator for non-corrosive gases and gas mixtures up to quality 6.0.
- New laboratory-style design
- High control accuracy
- Suitable for ECD-applications
- Simple outlet pressure limitation by handwheel
- Powder-coated bonnet

### Technical data

<b>Inlet pressure <math>P_1</math></b>	max. 50 bar
<b>Outlet pressure <math>P_2</math></b>	max. 20 bar
<b>Flow rate <math>Q</math></b>	see flow curves
<b>Materials</b>	
Body:	chrome-plated brass
Diaphragm:	Hastelloy
Valve seat:	PTFE
<b>In- / outlet</b>	3/8"-NPT female
<b>Pressure gauge connect.</b>	1/4"-NPT female
<b>Leak rate</b>	$1 \times 10^{-3}$ mbar l/s He
<b>Weight</b>	1,5 kg

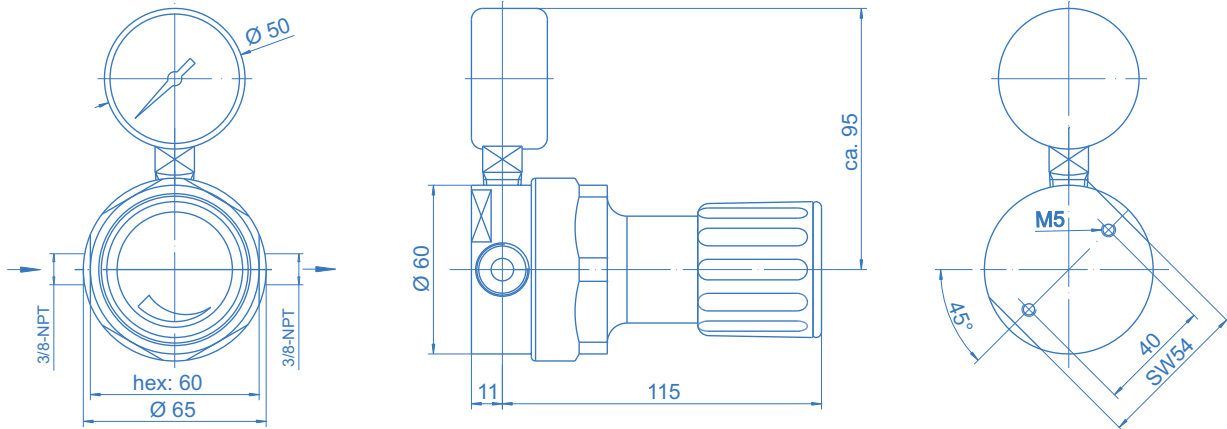
## Flow curves LM71



# Line pressure regulator LM71

spectro lab

## Dimensions - LM71



## Ordering information: LM71 series pressure regulators

LM71 - 50 - 10 - 0 - M - 0 - N<sub>2</sub>

### Inlet pressure P<sub>1</sub>

50 - max. 50 bar

### Outlet pressure P<sub>2</sub>

1,5 - to 1,5 bar  
4 - to 4 bar  
10 - to 10 bar  
20 - to 20 bar

### Type of gas

Please specify type of gas!

### Outlet press. indication

B - plug  
M - pressure gauge  
0 - 1/4"-NPT port

## Specifications

- SPECTROLAB - components guarantee maximum quality by using high grade materials and a quality assurance program acc. to ISO 9001.
- All components which come into contact with the medium are cleaned in an ultrasonic cleaning system (CFC-free) with the special cleaning process SPECTRO-CLEAN® and are then baked out.
- SPECTROLAB - components undergo a 100% function- and Helium-leak-test.

## Important note regarding component selection

- In order to assure safe operation it is essential to take the configuration of the whole system into account when selecting a control panel.
- The function of the components, the compatibility of the materials, correlating temperature ranges, correct installation, operation and maintenance in accordance with the relevant regulations are the responsibility of the system designer and the user.