

Line regulator LM52^{exact}-4

spectro lab



Line regulator
LM52^{exact}-4

Specifications

- SPECTROLAB-components guarantee maximum quality by using high grade materials and a quality assurance program acc. to ISO 9001.
- All parts in the gas wetted surface area are cleaned in an ultrasonic cleaning system (CFC-free) with the special Cleaning process SPECTRO-CLEAN® and then baked out.
- SPECTROLAB-components undergo a 100% function- and Helium-leak-test.

Product features

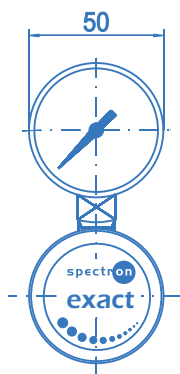
- Brass (chrome plated) line pressure regulator
- Extremely stable outlet pressure by applied extremely accurate Technology "exact" and anti- vibration device
- For non-corrosive gases and gas mixtures up to quality 6.0
- 4 ports for flexible and individual configuration
- Suitable for inlet pressures up to 300 bar
- Max. outlet pressures 1.5 up to 20 bar
- Light weight
- Compact design
- Metal-to-metal seal to atmosphere
- Suitable for ECD-applications
- Pressure regulator can be evacuated
- Central filter
- Approved for use with oxygen
- Simple outlet pressure limitation by handwheel
- Easy to install
- New laboratory-style design
- Ergonomically designed

exact = extremely accurate technology

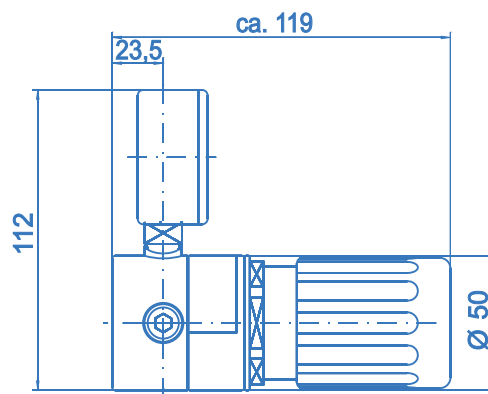
Technical data

Type	single-stage EXACT
Inlet pressure P ₁	max. 300 bar
Outlet pressure P ₂	1.5 / 4 / 10 / 20 bar
Materials	Body regulator, relief valve: chrome plated brass Valve seat: PA Diaphragm: Hastelloy C276 Soft goods: EPDM Filter: Sintered SS 316L
In- and outlets	1/4" NPT female
Temperature range	-30°C to +60°C
Leak rate (to atmosphere) (via seat)	1x10 ⁻⁸ mbar l/s He 1x10 ⁻⁶ mbar l/s He
Pressure gauge	Safety pressure gauges ISO5171/KI1.6/NG50
Flow capacity	C _v =0.16
Weight	1.0 kg

Dimensions
LM52^{exact}-4



Side view



Line regulator LM52^{exact}-4

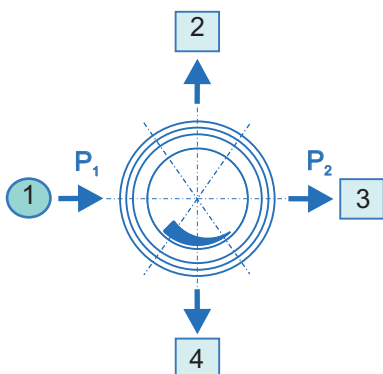
spectron lab

Ordering information:

Line regulator LM52^{exact}-4

In- / outlets

CM 1/4	- 1/8" / 1/4" / 1/2" - OD compression fitting (brass)
CM 6	- 3 / 6 / 8 / 10 / 12 mm compression fitting (brass)
CE 1/4	- 1/8" / 1/4" / 1/2" - OD compression fitting (stainless steel)
CE 6	- 3 / 6 / 8 / 10 / 12 mm compression fitting (stainless steel)
B	- plug
A	- relief valve - 1/4"-NPT-F
K	- contact gauge
M	- pressure gauge
0	- 1/4"-NPT-F (port only)



port selection

LM52 - 4 - 300 - 10 - 1 - 2 - 3 - 4 - N2

Inlet pressure P₁

100	- max. 100 bar
200	- max. 200 bar
300	- max. 300 bar

Outlet pressure P₂

1,5	- to 1.5 bar
4	- to 4 bar
10	- to 10 bar
20	- to 20 bar

Type of gas

Please specify type of gas
(for selection of valve seat
materials)

For inlet pressure up to 50 bar and outlet pressure of max. 1,5 or 4 bar please use M51

Ordering example:

LM52-4-300-10-CE6-M-CE6-B-N2

