

Line pressure regulator LM51-4

spectro lab



Line regulator LM51-4

Specifications

- SPECTROLAB-components guarantee maximum quality by using high grade materials and a quality assurance program acc. to ISO 9001.
- All parts in the gas wetted surface area are cleaned in an ultrasonic cleaning system (CFC-free) with the special Cleaning process SPECTRO-CLEAN® and then baked out.
- SPECTROLAB-components undergo a 100% function- and Helium-leak-test.

Product features

- Brass (chrome plated) line pressure regulator
- For non-corrosive gases and gas mixtures up to quality 6.0
- 4 ports for flexible and individual configuration
- Very stable outlet pressure
- Suitable for inlet pressures up to 300 bar
- Max. outlet pressures 1,5 up to 200 bar *
- Metal-to-metal seal to atmosphere
- Suitable for ECD-applications
- Pressure regulator can be evacuated
- Inlet filter
- Approved for use with oxygen
- Simple outlet pressure limitation by handwheel
- Easy to install
- New laboratory-style design
- Ergonomically designed

* 1,5 / 4 bar only for inlet pressure \leq 50 bar

Technical data

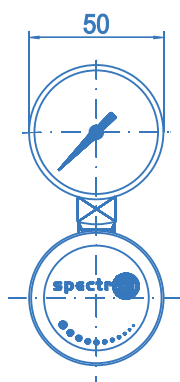
Type	single-stage
Inlet pressure P_1	max. 300 bar
Outlet pressure P_2	1,5 / 4 bar ($P_1 \leq 50$ bar) 10 / 20 / 50 / 100 / 200 bar ($P_1 > 50$ bar)

Materials

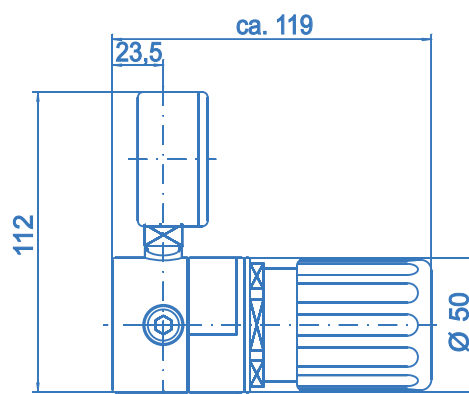
Body regulator, relief valve: chrome plated brass
Valve seat: PA
Diaphragm: Hastelloy C276
Filter: Sintered SS 316L

In- and outlets	1/4" NPT-F
Temperature range	-30°C to +60°C
Leak rate (to atmosphere) (via seat)	1×10^{-8} mbar l/s He 1×10^{-6} mbar l/s He
Pressure gauge	Safety pressure gauges ISO5171/K11.6/NG50
Flow capacity	$C_v=0.15$
Weight	1.0 kg

Dimensions
LM51-4



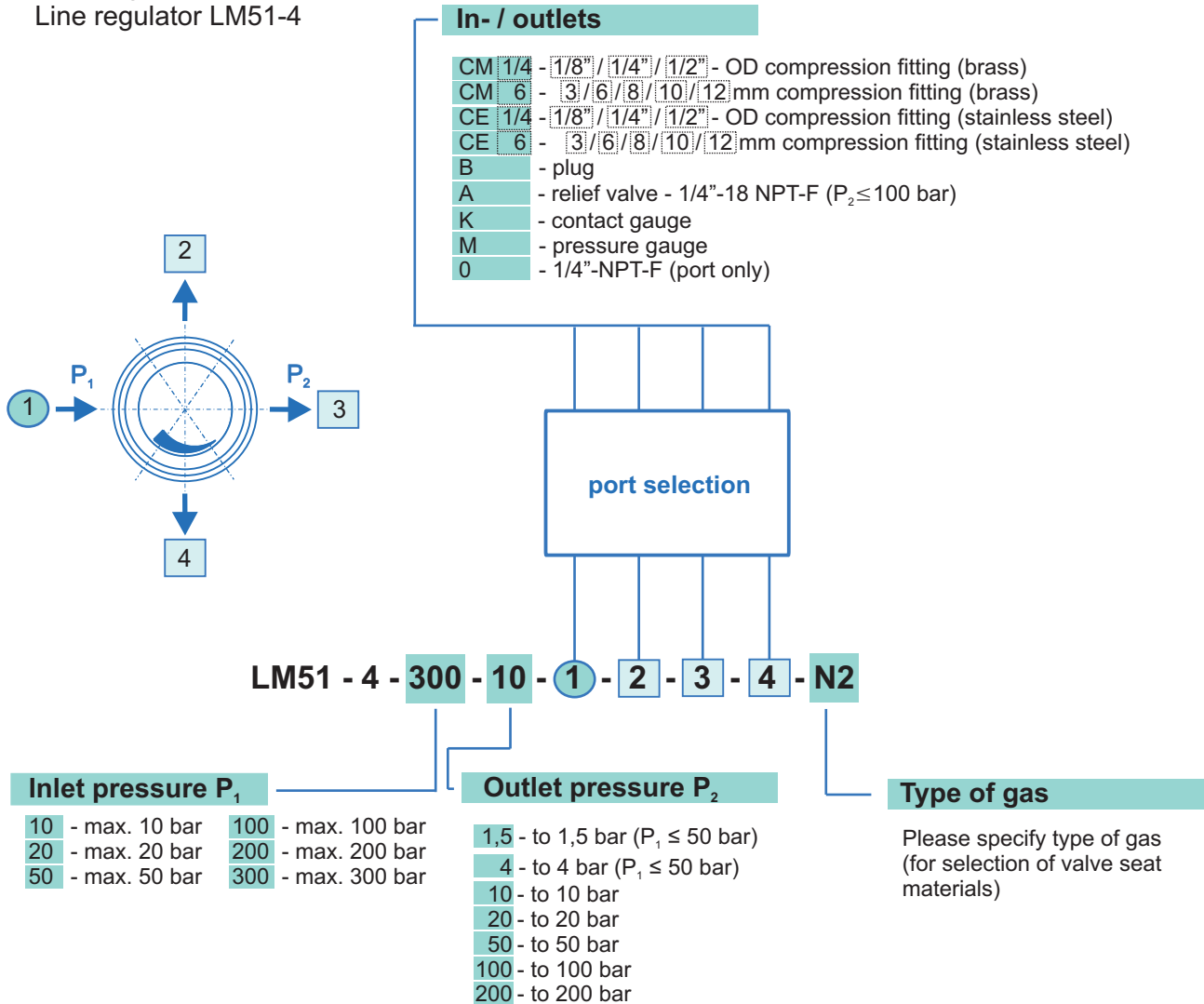
Side view



Line pressure regulator LM51-4

spectron lab

Ordering information:
Line regulator LM51-4



Ordering example:

LM51-4-300-10-CE6-M-CE6-B-N2

