

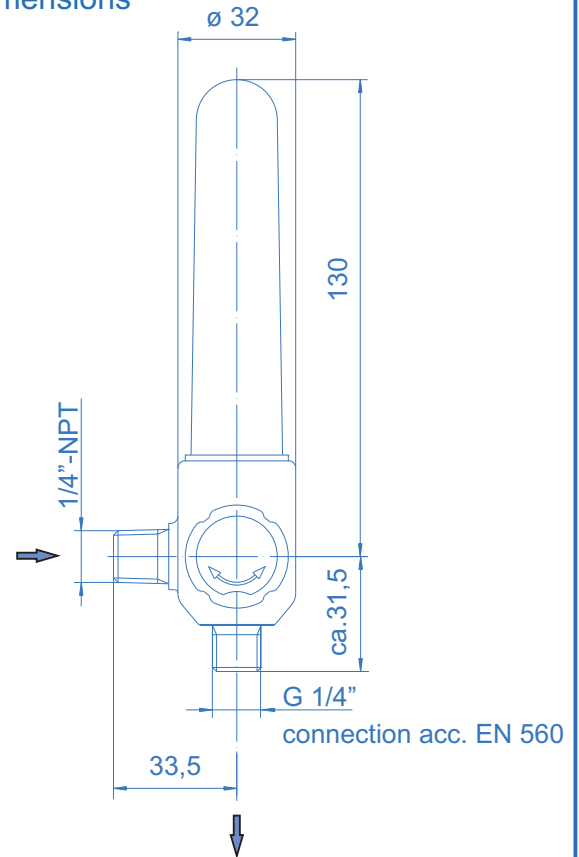
# Flowmeter FL32

spectro **tec**



Floating type flowmeter

## Dimensions



### Technical data

**Type** floating type

**Calibration pressure** 1,4 / 4 bar

#### Materials

Body: brass

Elastomers: FKM

Flowmeter: glas

Protection cap: Polycarbonate

Valve stem: CuZn35Ni2

#### Connectors

Inlet: 1/4"-NPT male

Outlet: G 1/4" male

**Temperature range** -30°C to +60°C

**Leak rate** <math>10^{-3}</math> mbar l/s He

**Weight** 330 g

### Product features

- Flowmeter for industrial gases
- Suitable e.g. for tapping points to dose shielding or forming gas
- Flow range for 1,4 bar: 0,2 to 5 l/min.
- Flow range for 4 bar: 16 to 100 l/min.

### Ordering information: Flowmeter FL32

**FL32 - 4 - Ar/CO<sub>2</sub> - 16**

#### Calibration pressure

1,4 - 1,4 bar

4,0 - 4,0 bar

#### Type of gas + flow range

Ar/CO <sub>2</sub>	1	- 0,2...1 l/min. (for 1,4 bar)
Ar	5	- 1...5 l/min. (for 1,4 bar)
Ar/CO <sub>2</sub>	16	- 2...16 l/min. (for 4 bar)
Ar/H <sub>2</sub>	16	- 2...16 l/min. (for 4 bar)
H <sub>2</sub>	16	- 2...16 l/min. (for 4 bar)
N <sub>2</sub>	16	- 2...16 l/min. (for 4 bar)
Ar/CO <sub>2</sub>	30	- 5...30 l/min. (for 4 bar)
forming gas	30	- 5...30 l/min. (for 4 bar)
N <sub>2</sub>	50	- 10...50 l/min. (for 4 bar)
Ar/CO <sub>2</sub>	100	- 20...100 l/min. (for 4 bar)