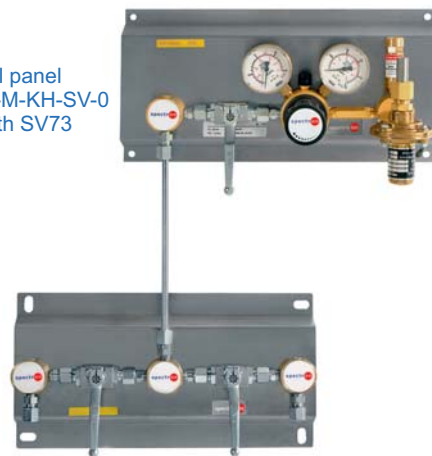


Pressure control panels BT2000AC



Figure above:
Pressure control panel BT2000AC-1x1-M-KH-SV-0
for acetylene complete with over-pressure valve SV73

Right figure:
Pressure control panel
BT2000AC-2x1-M-KH-SV-0
for acetylene with SV73



Product features

- Wall-mounting pressure control panels for acetylene
 - Designed for easy installation
 - Single-stage systems, modular design (to be extended to 1x2, 1x3, 2x1, 2x2, 2x3 etc. cylinders)
 - Pressure regulator with high control accuracy and integrated relief valve for protection of the device
 - Pressure control panels comply with DIN-EN-ISO 14114 and DIN-EN-ISO 15615
 - With all BAM-tested safety devices, e.g.:
 - Quick-acting shut-off valve
 - Flashback arrestor
 - optionally: over-pressure valve *
 - optionally: automatic quick-acting shut-off device
 - optionally: Acetylene Safety Guard (ASG)
- For further information please see data sheet ASG

Attention:

Acetylene withdrawal systems may need to be certified before commissioning. Always refer to the local rules and regulations regarding such certifications.

Technical data

Type	single-stage
Inlet pressure P_1	max. 25 bar
Outlet pressure P_2	max. 1,5 bar
Materials	
Body regulator:	brass
Diaphragm regulator:	EPDM
Valve seat regulator:	PA
Mounting plate:	stainless steel
Ball valve:	Steel, zinc-plated
Connection tube:	Steel, zinc-plated
Connectors	
Inlets:	M16 x 1,5 male
Outlet flashback arrestor:	1/4"-NPT female
Outlet relief valve:	1/8"-NPT female
Outlet over-pressure valve:	welding stub 14 x 2
Temperature range	-30°C to +60°C
Leak rate	<10 ⁻⁴ mbar l/s He
Weight	
BT2000AC-1x1:	4,7 kg
Shut-off unit:	2,8 kg
Single extension:	1,1 kg

- * An over-pressure valve cannot be used as an safety accessory according to the Pressure Equipment Directive (PED).

Flow rates for BT2000 acetylene:

The maximum flow rate is approx. 8 sm³/h acetylene. At an inlet pressure of approx. 4 bar (resembling an acetylene cylinder almost empty) the pressure regulator still yields approx. 5 sm³/h acetylene.

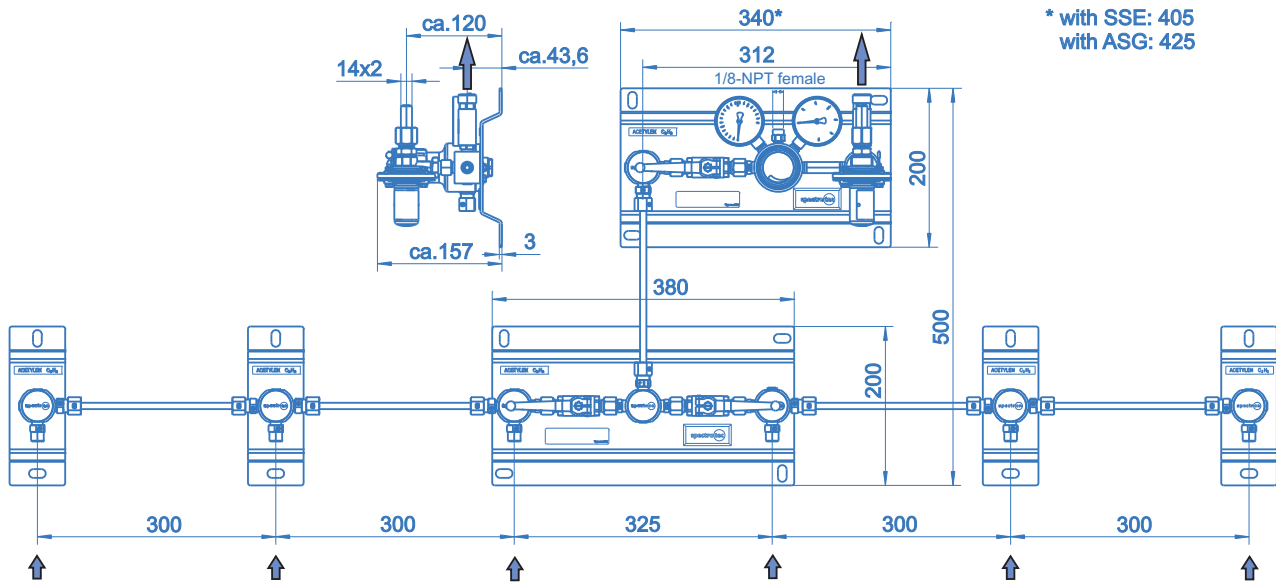
Inlet press. P_1 [bar]	Outlet press. P_2 [bar]		
	0,5	1	1,2
18	5,0 m ³ /h	6,0 m ³ /h	8,0 m ³ /h
10	4,5 m ³ /h	5,5 m ³ /h	6,5 m ³ /h
4	3,0 m ³ /h	4,0 m ³ /h	5,0 m ³ /h
2	1,5 m ³ /h	2,0 m ³ /h	3,0 m ³ /h

The withdrawal rate should not exceed approx. 0,5 sm³/h per cylinder in permanent operation, so no solvent from the cylinder will enter the withdrawal system. However, the flow rate may be increased to approx. 1 sm³/h for brief peak loads.

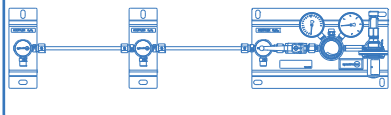
Pressure control panels BT2000AC



Dimensions - Pressure control panel BT2000AC; e.g. 2x3-cylinder system:
BT2000AC-2x3-M-KH-SV-0



Example: BT2000AC-1x3-M-KH-SV-0



Ordering information:
Pressure control panels BT2000AC

BT2000AC - 1x3 - M - KH - SV - 0

Pressure control panels
for other gas types:
Please see data sheet
BT2000

Series

BT2000 series pressure control panel for acetylene

Type

1x1 - single-sided 1x1-cylinder panel
1x2 - single-sided 1x2-cylinder panel
1xn - single-sided 1xn-cylinder panel
2x1 - double-sided 2x1-cylinder panel
2x2 - double-sided 2x2-cylinder panel
2xn - double-sided 2xn-cylinder panel

Single-sided panels consist of basic panel and extensions (where applicable); double-sided panels consist of basic panel, connection tube DN5 (225 mm), shut-off unit and extensions (where applicable).



Individual shut-off

0 - without individual valves
V - with additional ball valves
for each individual cylinder

Over-pressure valve

0 - without over-pressure valve
SV - with over-pressure valve SV73
(not necessary with ASG)

Quick-acting shut-off

KH - manual quick-acting
shut-off device (ball valve)
SSE - automatic quick-acting
shut-off device SSE
ASG - Acetylene Safety Guard

Inlet press. indication

M - Pressure gauge
K - Contact pressure gauge

Application example: Pressure control panel BT2000AC with ASG